

PRP0500

Marking units



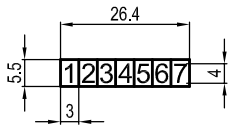
P	R	P	0	5	0	0	0	8	7	3	M	-	-	-
1		2				3		4		5	6		7	

1 Series PRP = Marking units	2 Version 0500 = 5000 Nm Ø 100 mm cylinder	3 Size 08 = 80 mm 13 = 130 mm
--	--	--

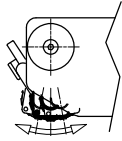
4 Opening angles 73 = 73° fixed opening angle	5 Marking head mounting position M = On the moving part F = On the fixed part
---	--

6 Progressive numbering E = Standard version Progressive numbers for special products are assigned by the Sales dept.	7 Connections D = Sensor right side F = Front side P = Rear side If not specified, on sensor left side
--	---

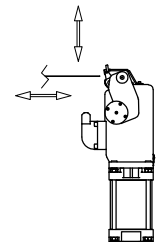
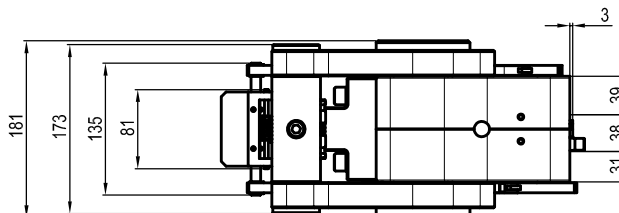
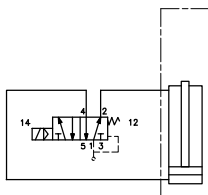
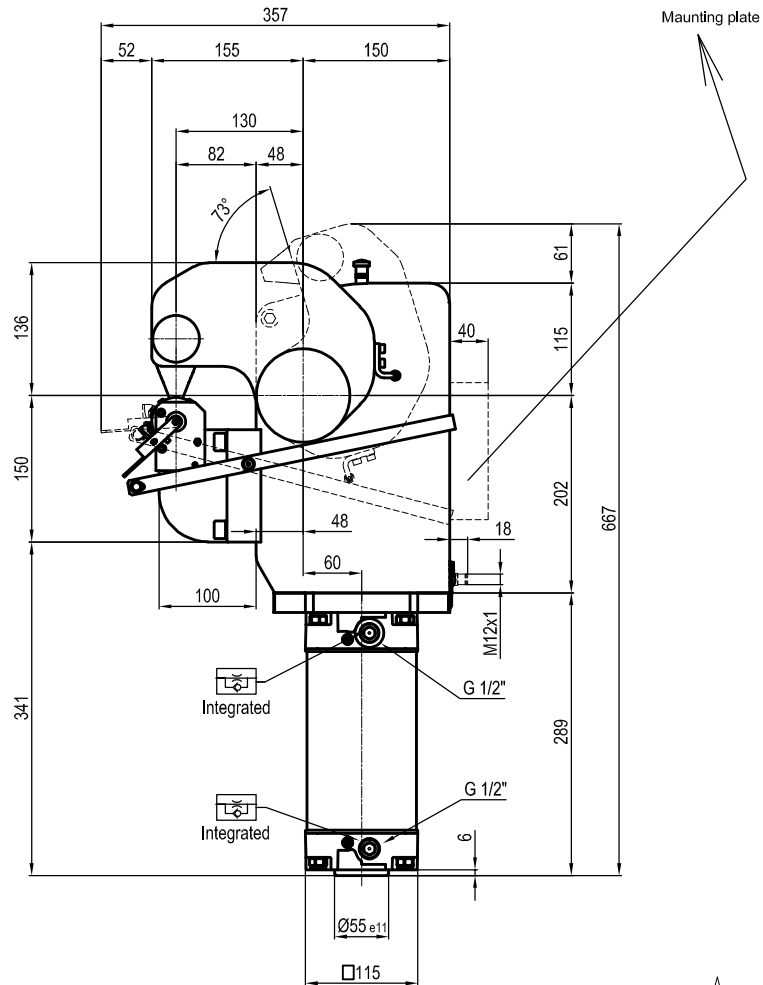
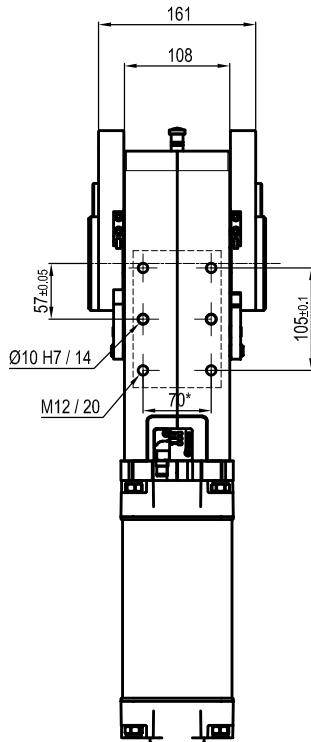
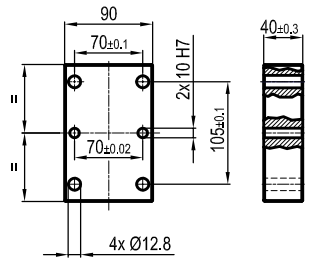
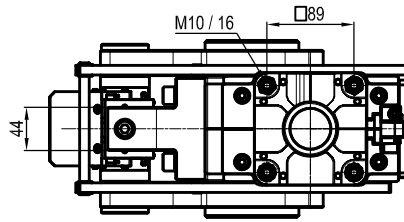
Marking Unit



Marking surface with 4mm high characters



Possibility to orientate the marking surface



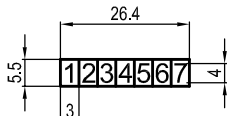
Size	Cylinder	Moment 0,55 MPa	Marking force 0,5 MPa	Weight	Air / cycle (0,5 MPa)
500	100	5000 Nm	38,5 KN	62 Kg	11,2 NL

* : TOLERANCE BETWEEN DOWEL HOLES ±0.02, TO SCREW HOLES ±0.1

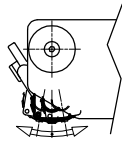
- Min./Max. operating pressure: **0,4 / 0,6 MPa**
- Operating temperature: **5° ± 45° C**
- Opening angle: **73°**
- Possibility to orientate the marking surface
- Electronic 24 Vdc sensor with M12 swivel connector that can be orientated at 0° or 90°
- IP code: **IP 65**

Subject to technical modifications without notice.

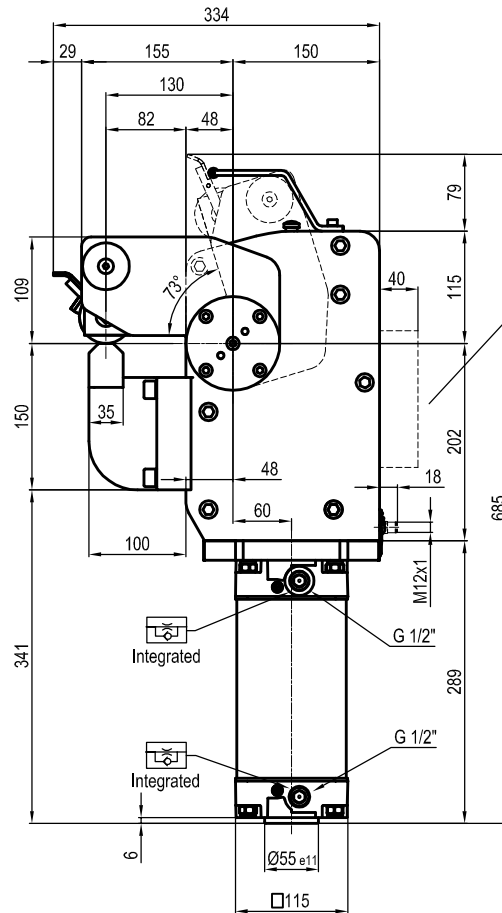
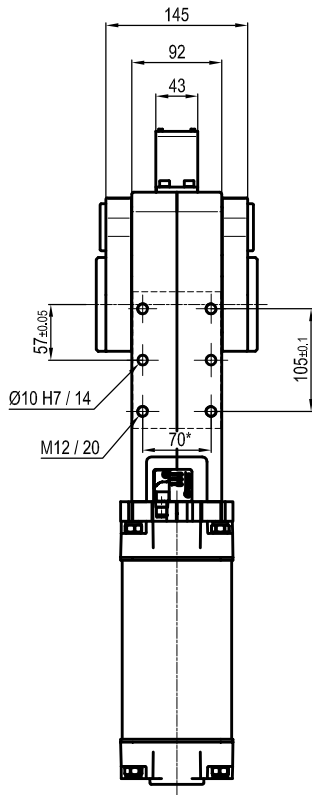
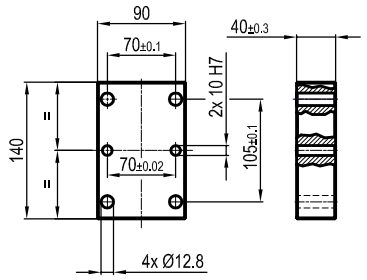
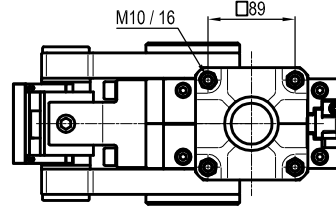
Marking Unit



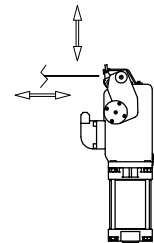
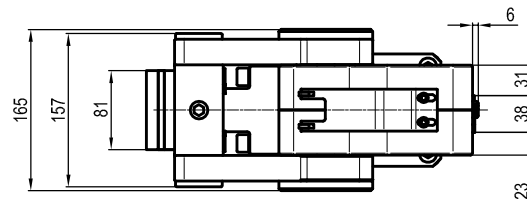
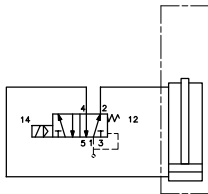
Marking surface with 4mm high characters



Possibility to orientate the marking surface



Mounting plate



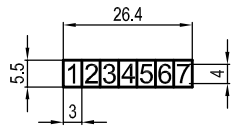
Size	Cylinder	Moment 0,55 MPa	Marking force 0,5 MPa	Weight	Air / cycle (0,5 MPa)
500	100	5000 Nm	38,5 KN	52 Kg	11,2 NL

* : TOLERANCE BETWEEN DOWEL HOLES ±0.02, TO SCREW HOLES ±0.1

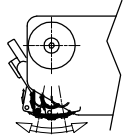
- Min./Max. operating pressure: **0,4 / 0,6 MPa**
- Operating temperature: **5° + 45° C**
- Opening angle: **73°**
- Possibility to orientate the marking surface
- Electronic 24 Vdc sensor with M12 swivel connector that can be orientated at 0° or 90°
- IP code: **IP 65**

Subject to technical modifications without notice.

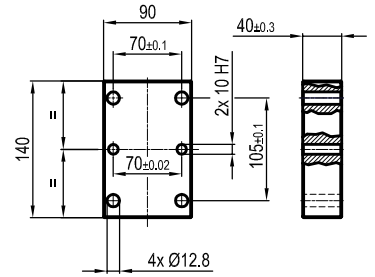
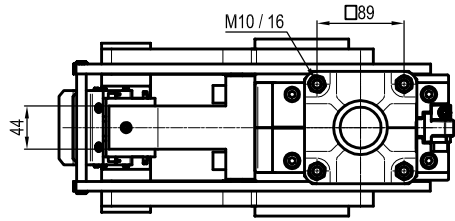
Marking Unit



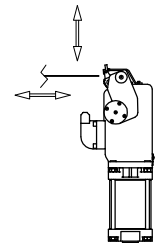
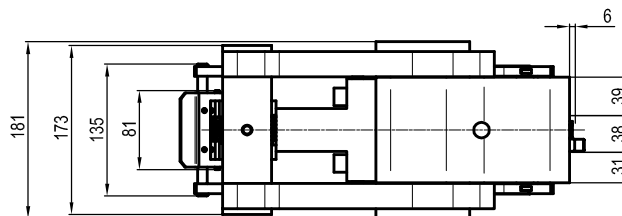
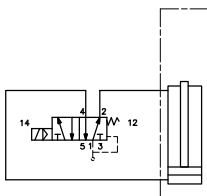
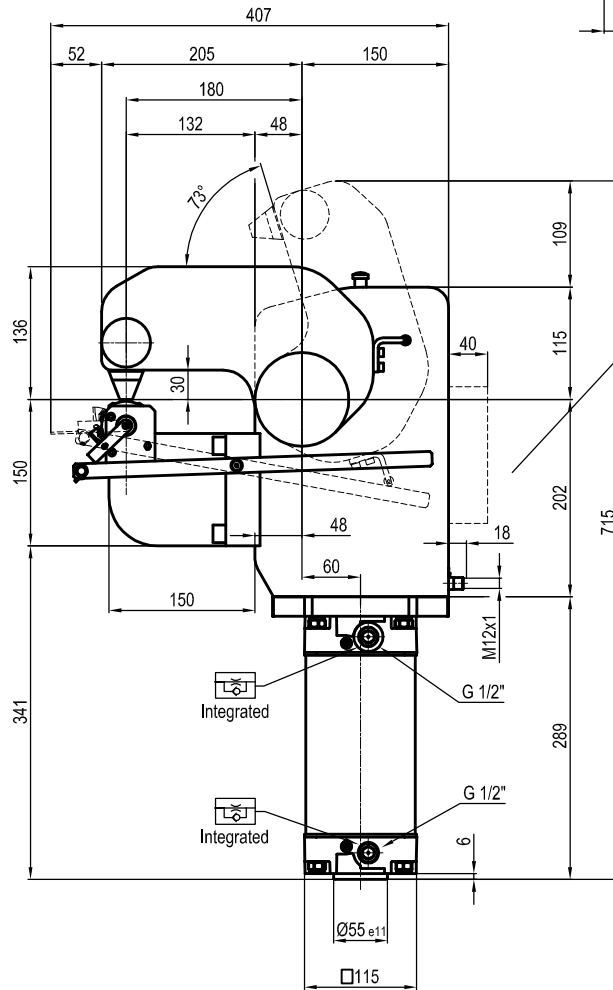
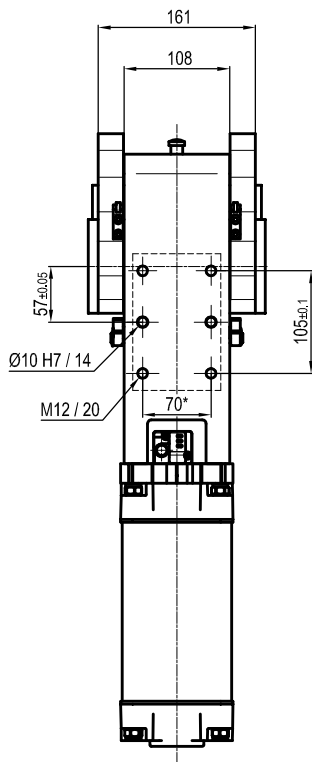
Marking surface with 4mm high characters



Possibility to orientate the marking surface



Mounting plate



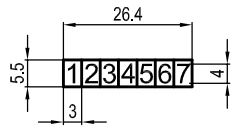
Size	Cylinder	Moment 0,55 MPa	Marking force 0,5 MPa	Weight	Air / cycle (0,5 MPa)
500	100	5000 Nm	27,5 kN	58 Kg	11,2 NL

* : TOLERANCE BETWEEN DOWEL HOLES ±0.02, TO SCREW HOLES ±0.1

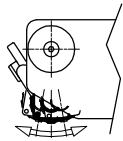
- Min./Max. operating pressure: **0,4 / 0,6 MPa**
- Operating temperature: **5° ± 45° C**
- Opening angle: **73°**
- Possibility to orientate the marking surface
- Electronic 24 Vdc sensor with M12 swivel connector that can be orientated at 0° or 90°
- IP code: **IP 65**

Subject to technical modifications without notice.

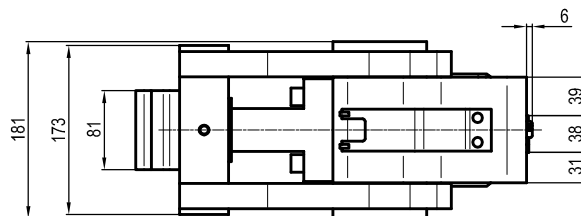
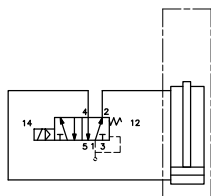
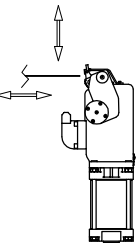
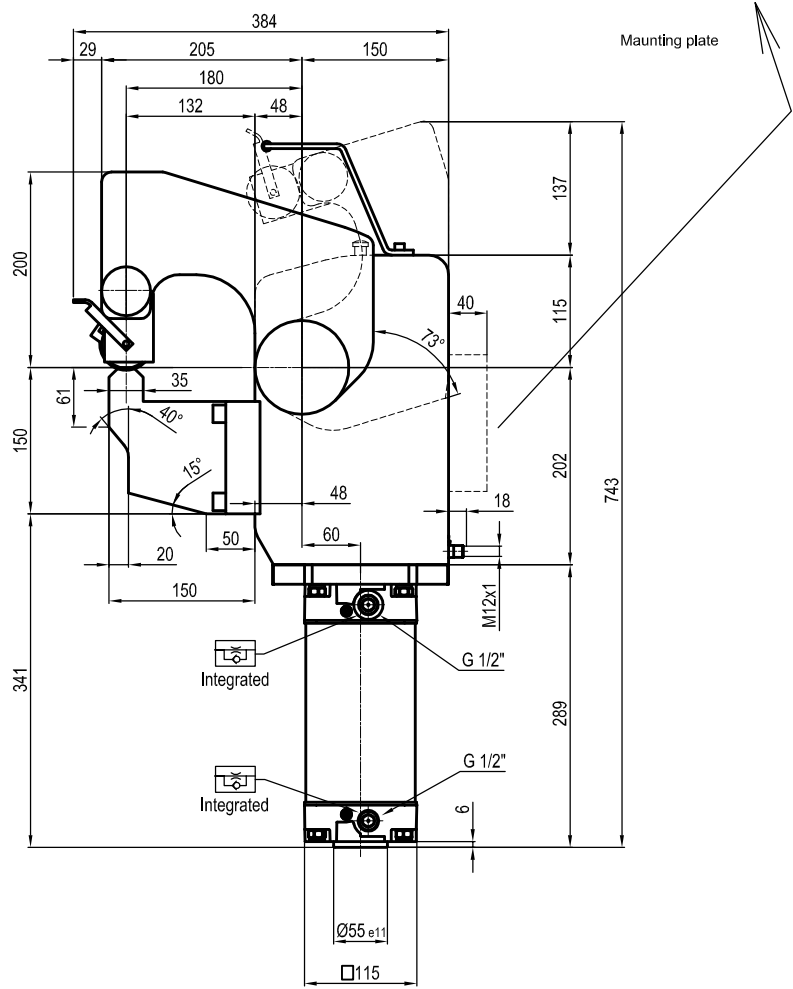
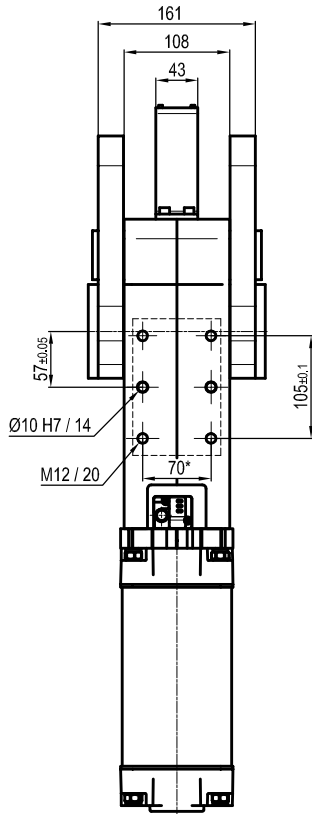
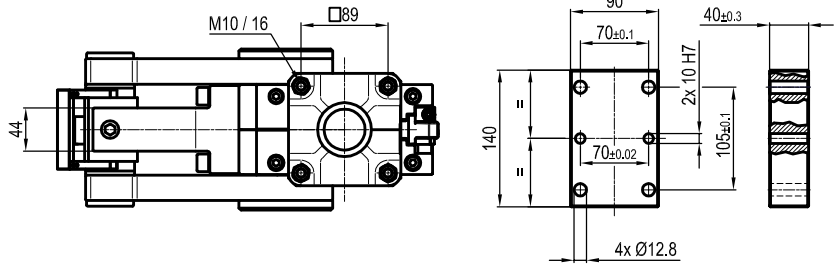
Marking Unit



Marking surface with 4mm high characters



Possibility to orientate the marking surface



Size	Cylinder	Moment 0,55 MPa	Marking force 0,5 MPa	Weight	Air / cycle (0,5 MPa)
500	100	5000 Nm	27,5 KN	58 Kg	11,2 NL

* : TOLERANCE BETWEEN DOWEL HOLES ±0.02, TO SCREW HOLES ±0.1

- Min./Max. operating pressure: **0,4 / 0,6 MPa**
- Operating temperature: **5° + 45° C**
- Opening angle: **73°**
- Possibility to orientate the marking surface
- Electronic 24 Vdc sensor with M12 swivel connector that can be orientated at 0° or 90°
- IP code: **IP 65**

Subject to technical modifications without notice.