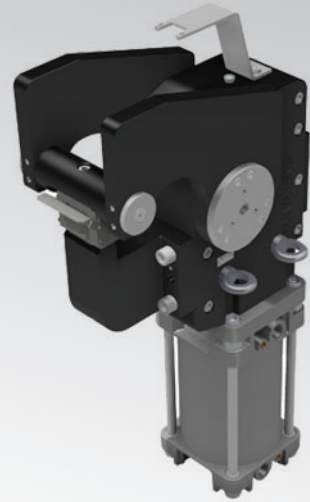


PRP1100

Marking units



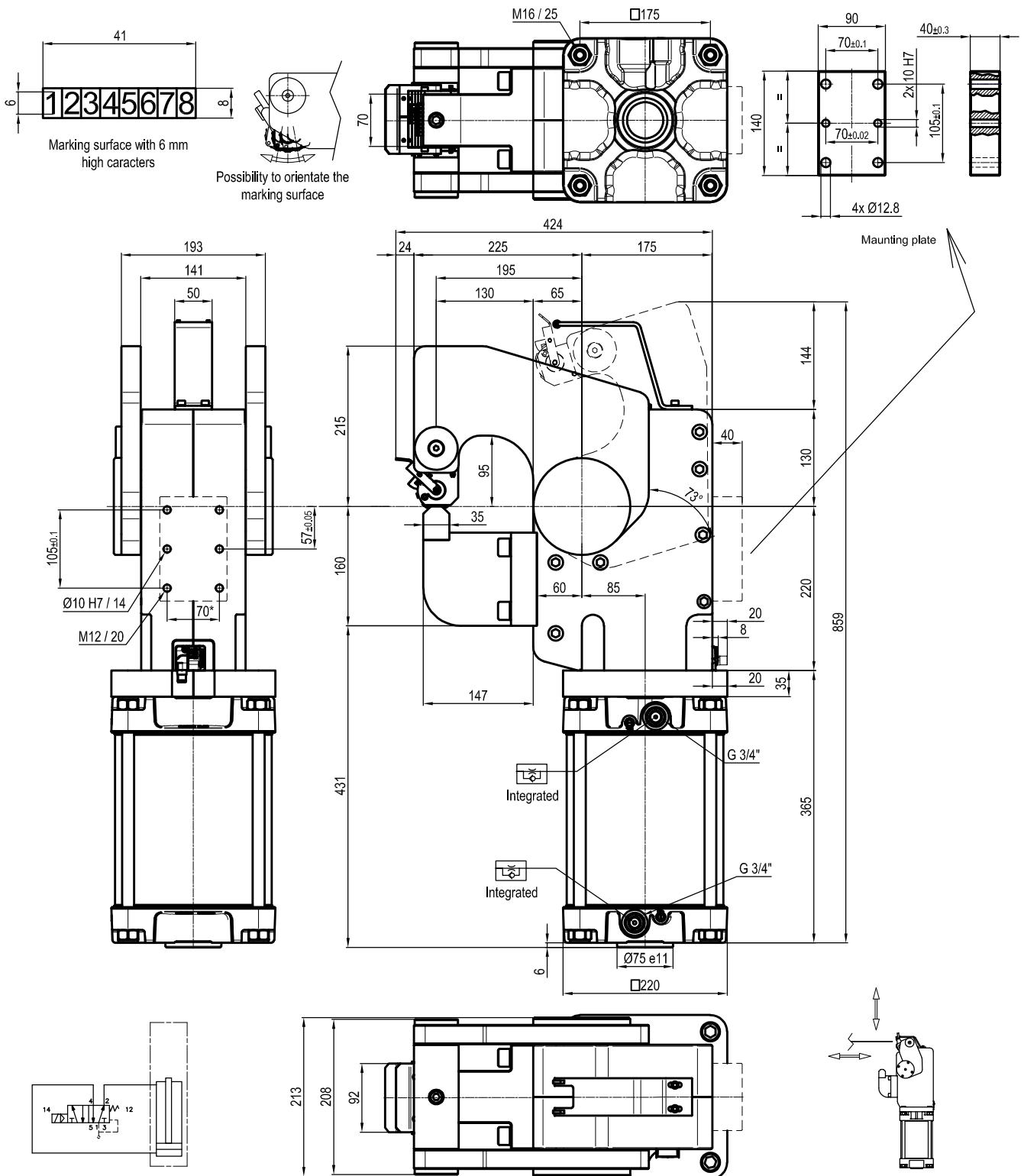
| | | | | | | | | | | | | | | |
|---|---|---|---|---|---|---|---|---|---|---|---|---|---|---|
| P | R | P | 1 | 1 | 0 | 0 | 1 | 3 | 7 | 3 | M | - | - | - |
| 1 | | 2 | | | | 3 | | 4 | | 5 | 6 | | 7 | |

| | | |
|---------------------|-----------------------------------|---------------|
| 1 Series | 2 Version | 3 Size |
| PRP = Marking units | 1100 = 11000 Nm Ø 200 mm cylinder | 13 = 130 mm |

| | |
|------------------------------|---|
| 4 Opening angles | 5 Marking head mounting position |
| 73 = 73° fixed opening angle | M = On the moving part F = On the fixed part |

| | |
|--|---|
| 6 Progressive numbering | 7 Connections |
| E = Standard version Progressive numbers for special products are assigned by the Sales dept. | D = Sensor right side F = Front side P = Rear side If not specified, on sensor left side |

Marking Unit

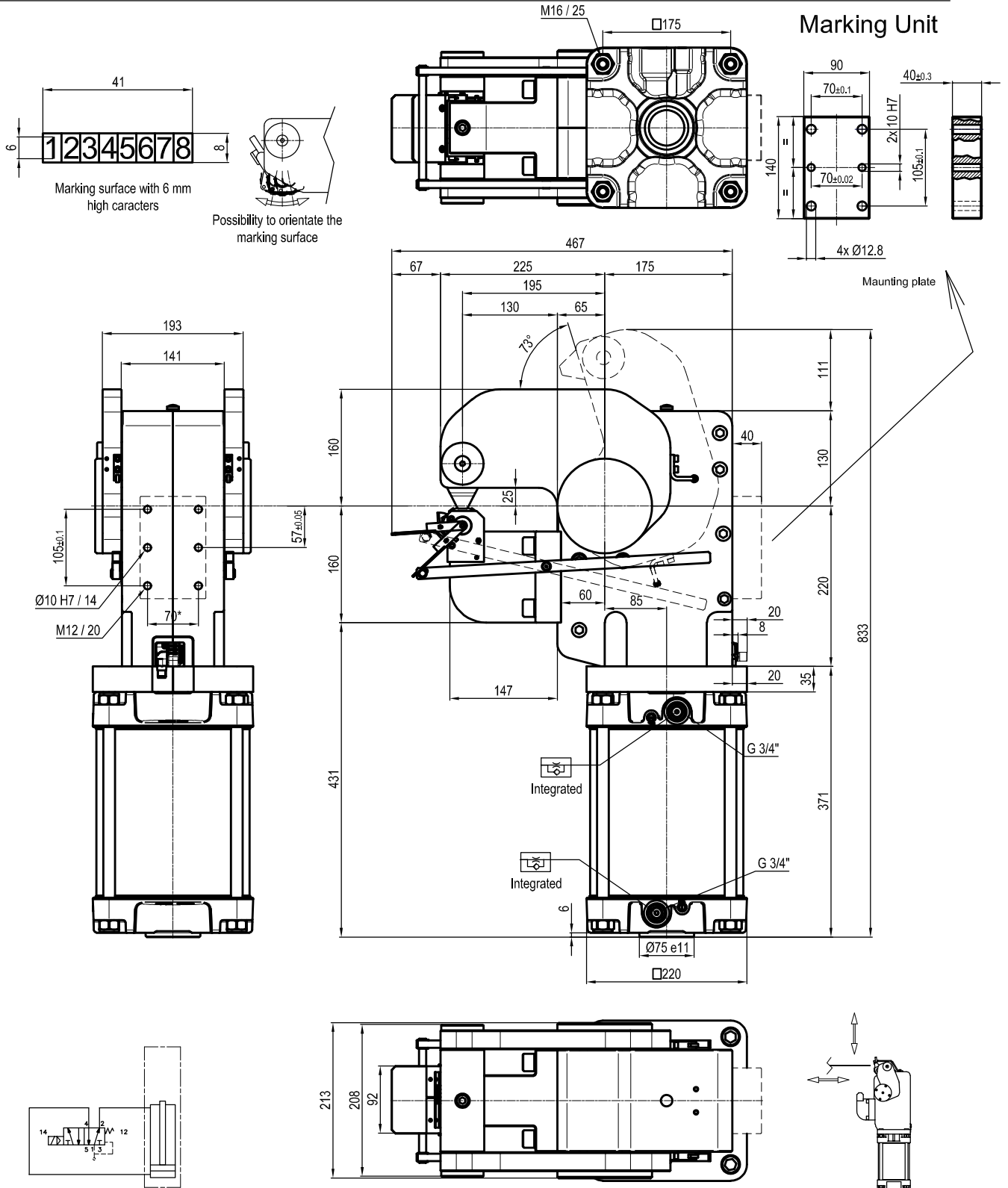


| Size | Cylinder | Moment 0,55 MPa | Marking force 0,5 MPa | Weight | Air / cycle (0,5 MPa) |
|------|----------|--------------------|-----------------------------|--------|--------------------------|
| 1100 | 200 | 12000 Nm | 62 KN | 133 Kg | 55,5 NL |

* : TOLERANCE BETWEEN DOWEL HOLES ±0.02, BETWEEN SCREW HOLES ±0.1

- Min./Max. operating pressure: **0,4 / 0,6 MPa**
- Operating temperature: **5° ± 45° C**
- Opening angle: **73°**
- Possibility to orientate the marking surface
- Electronic 24 Vdc sensor with M12 swivel connector that can be orientated at 0° or 90°
- IP code: **IP 65**

Subject to technical modifications without notice.



| Size | Cylinder | Moment 0,55 MPa | Marking force 0,5 MPa | Weight | Air / cycle (0,5 MPa) |
|------|----------|--------------------|-----------------------------|--------|--------------------------|
| 1100 | 200 | 12000 Nm | 62 KN | 133 Kg | 55,5 NL |

* : TOLERANCE BETWEEN DOWEL HOLES ± 0.02 , BETWEEN SCREW HOLES ± 0.1

- Min./Max. operating pressure: **0,4 / 0,6 MPa**
- Operating temperature: **$5^{\circ} + 45^{\circ} C$**
- Opening angle: **73°**
- Possibility to orientate the marking surface
- Electronic 24 Vdc sensor with M12 swivel connector that can be orientated at 0° or 90°
- IP code: **IP 65**

Subject to technical modifications without notice.