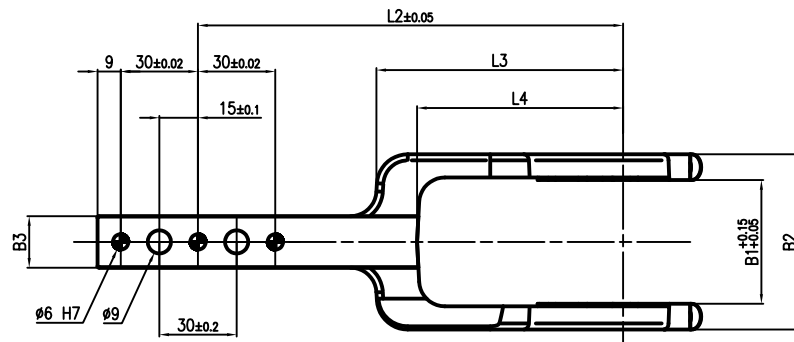
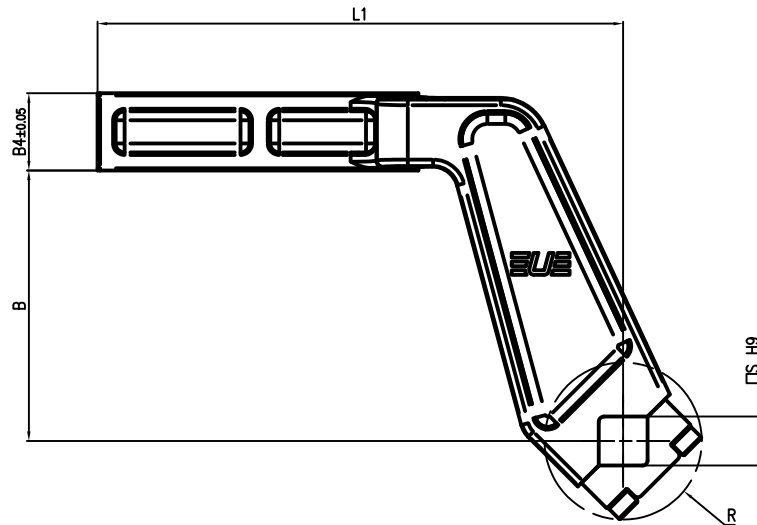
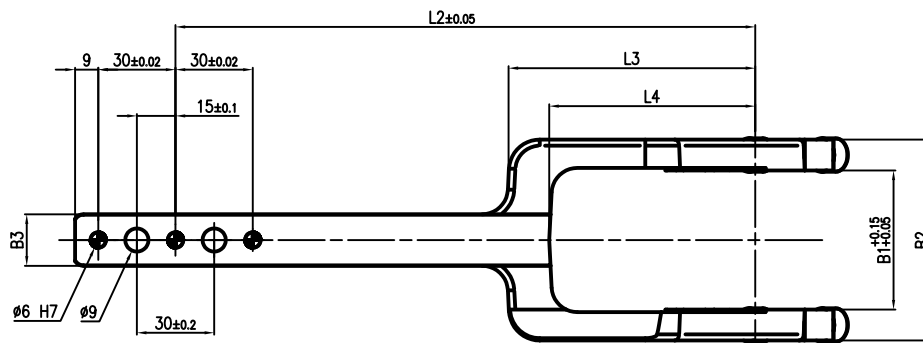
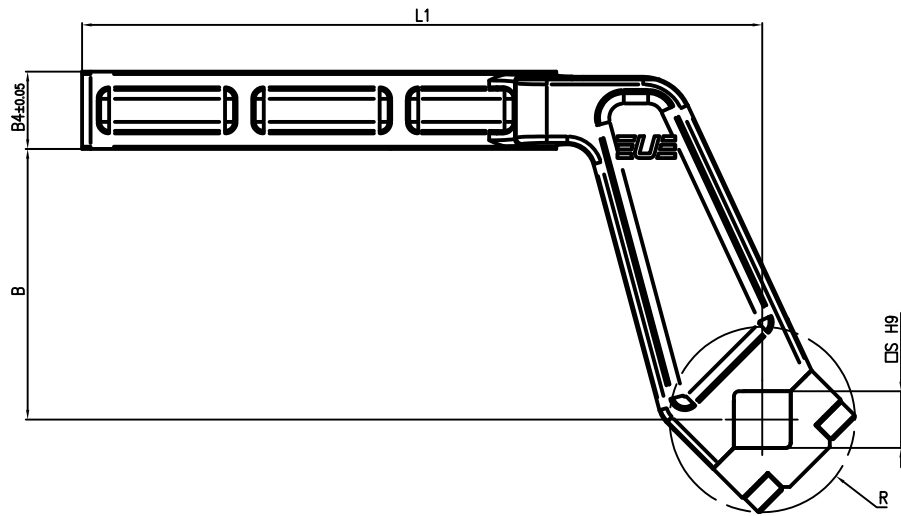


□19 mm, offset 105 mm



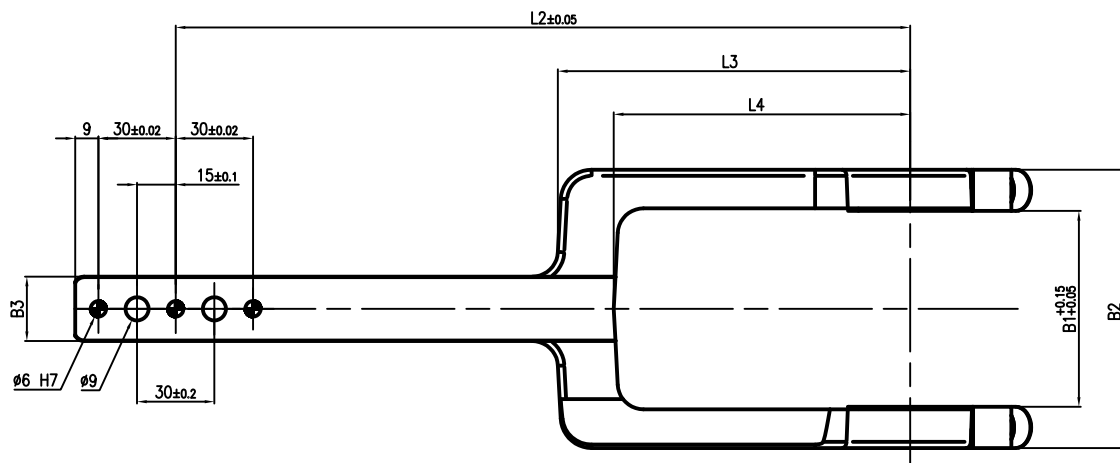
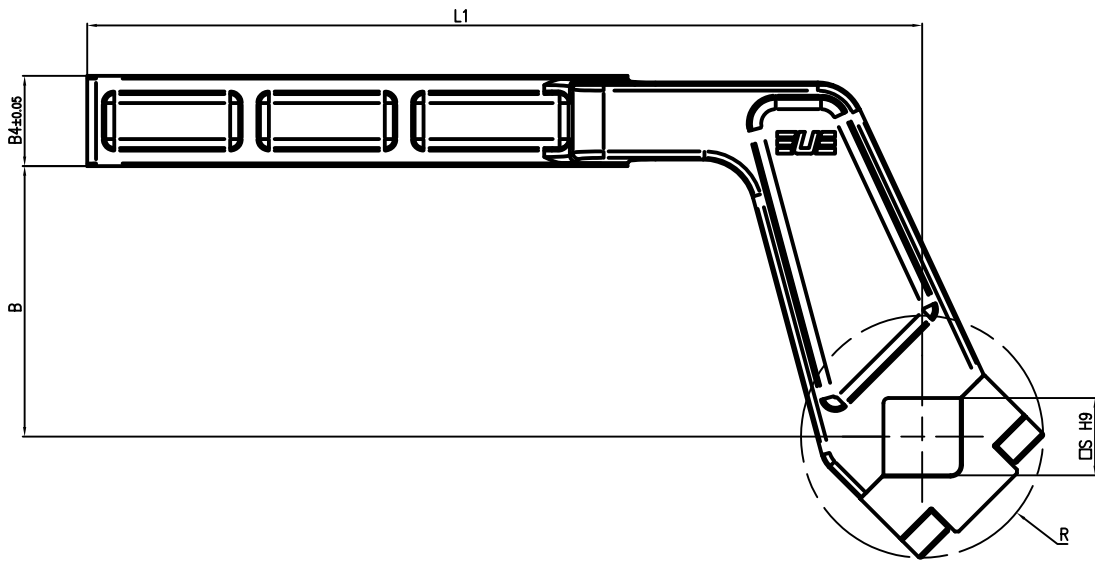
LKP-Code	B	B1	B2	B3	B4	L1	L2	L3	L4	R	S	Material
LKP010-2327	105	48	68	20	30	144	105	95	80	31	19	Steel
LKP010-2328	105	48	68	20	30	204	165	95	80	31	19	Steel

□22 mm, offset 105 mm



LKP-Code	B	B1	B2	B3	B4	L1	L2	L3	L4	R	S	Material
LKP010-2308	105	54	78	20	30	204	165	95	80	36	22	Steel
LKP010-2309	105	54	78	20	30	264	225	95	80	36	22	Steel

□30 mm, offset 105 mm



LKP-Code	B	B1	B2	B3	B4	L1	L2	L3	L4	R	S	Material
LKP010-2707	105	76	108	25	35	204	165	135	115	47	30	Steel
LKP010-2708	105	76	108	25	35	264	225	135	115	47	30	Steel
LKP010-2709	105	76	108	25	35	324	285	135	115	47	30	Steel