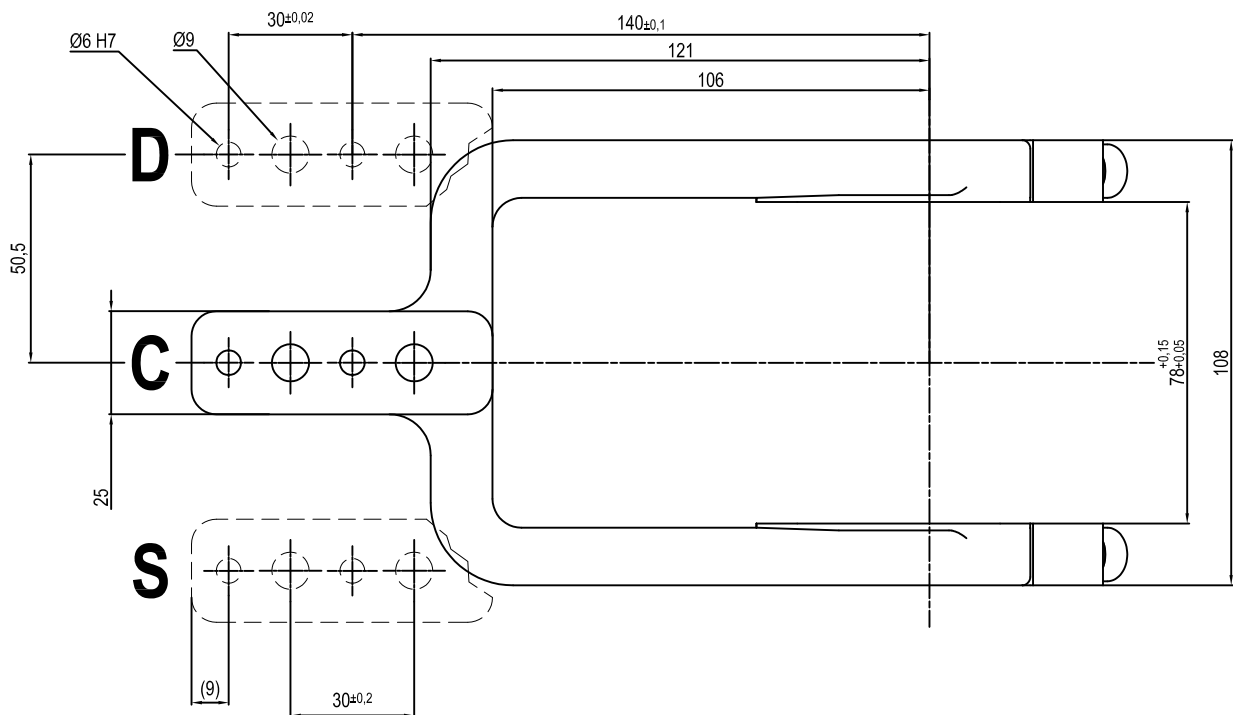
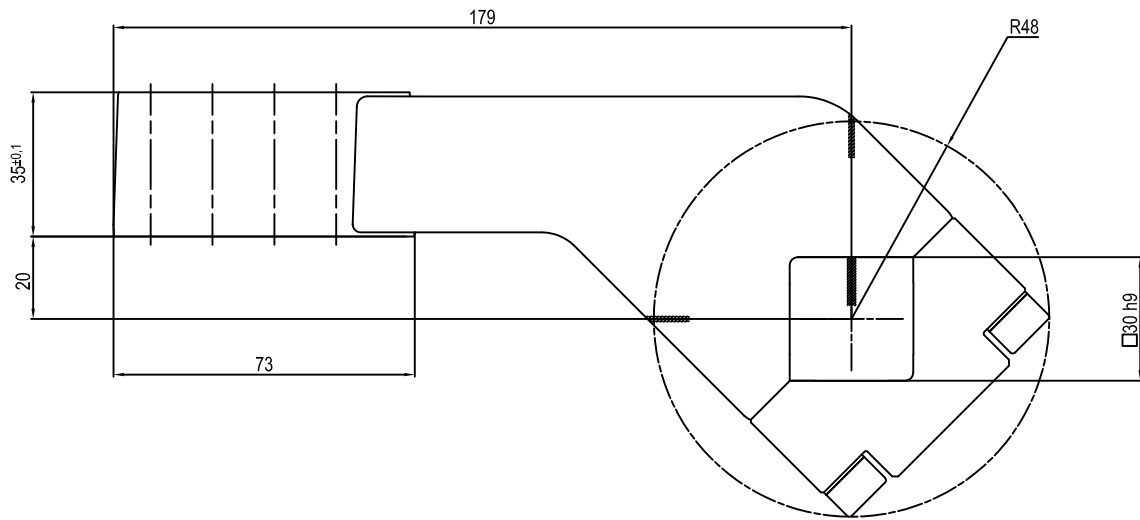


□30 mm, offset 20 mm



Clamp size	Material	Weight
80 mm	Aluminium	0.6 Kg

THE CLAMPING ARM INCLUDES THE NECESSARY SCREWS

Subject to technical modification without notice.