

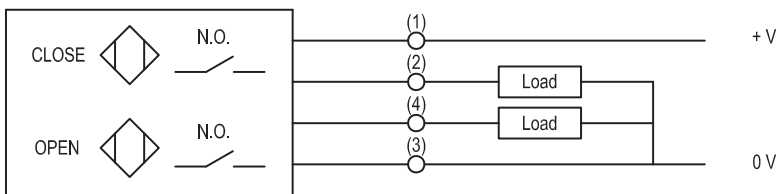
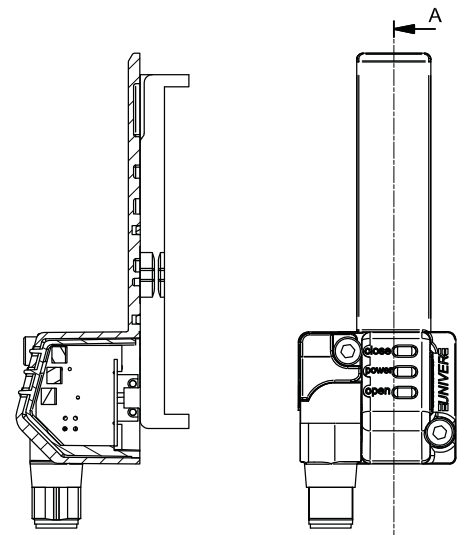
DF-L

Electronic sensor

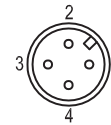


TECHNICAL CHARACTERISTICS

Supply tension	10-30 V DC
Supply current	<20 mA
Rated operational current	30 mA
Tension failure	<3,5 V DC
Output logic	PNP N.O.
Led-supply	green (power)
Led-closed position	red (close)
Led-open position	yellow (open)
Protection class	IP 67
Dimensions	31x101x36 mm
Weight	115 gr
No reset	



Front View



Male contacts Micro C M12

How to replace the sensor

Unscrew the 2 screws and replace the sensor.

Orientation of the connector

- Unscrew the screw which tightens the support of the connector and turn it to the 90° position.
- Reposition the support of the connector.
- Tighten the screw.



0°

90°