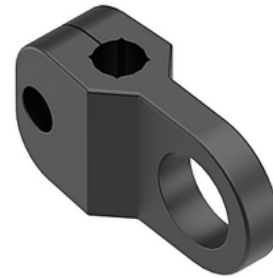
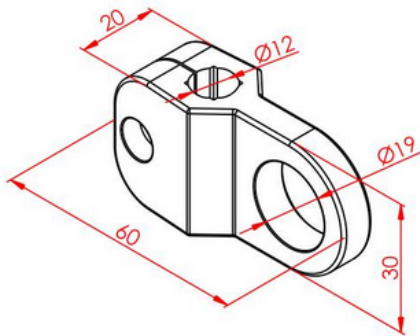


General Specifications

Plastic accessories that ensure retaining and positioning sensor or other equipments via shaft.

Stock Code	Stock Name	Material	Weight (gr)
3.006.214.153.010	Ø10 Sensor Holder	Plastic	20



General Specifications

Plastic accessories that ensure retaining and positioning sensor or other equipments via shaft.

Stock Code	Stock Name	Material	Weight (gr)
3.006.214.153.012	Ø12 Sensor Holder	Plastic	17