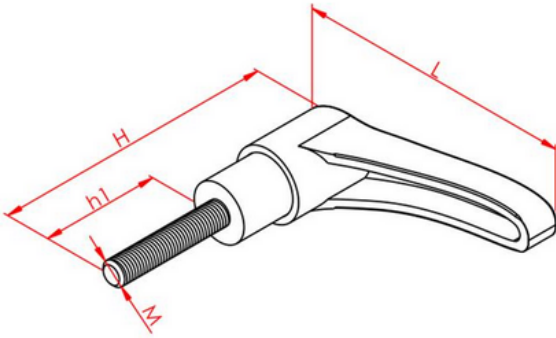


ADJUSTABLE ARMS



General Specifications

Units are used for connecting parts that should be alternatively moving and fix.

Stock Code	Stock Name	L	H	h1	Material	Weight (kg)
2.2.006.06.30	Adjustable Arms	78	72	30	Plastic	41
2.2.006.08.50	Spring Lever M8x50 - Slot 8	78	92	50	Plastic	52
2.2.006.10.60	Spring Lever M10x60 - Slot 10	78	102	60	Plastic	65