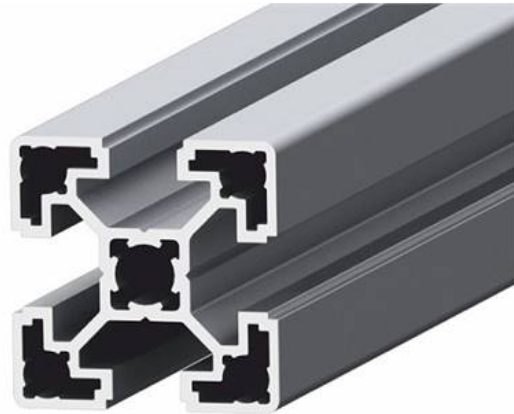
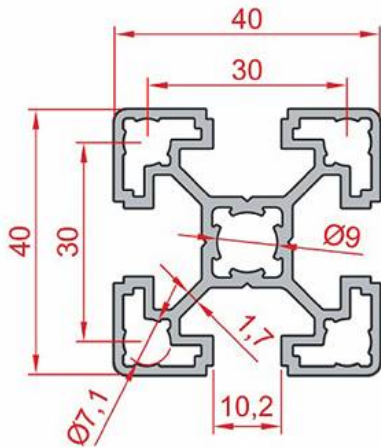


## 40X40 LIGHT SIGMA PROFILE



## General Specifications

Commonly used in lighter frames, protective cabin applications, conveyor frame feet and closure cabins in line with OHSAS

Stock Code	Stock Name	External Dimensions	Material	L(mm)	Ix	Iy	Wx	Wy	Area	Mass
1.1.10.040040.02	40x40 Light Sigma Profile	40x40	6063	6000	7,10 cm <sup>4</sup>	7,10 cm <sup>4</sup>	3,55 cm <sup>3</sup>	3,55 cm <sup>3</sup>	4,49 cm <sup>2</sup>	1,21 Kg/m