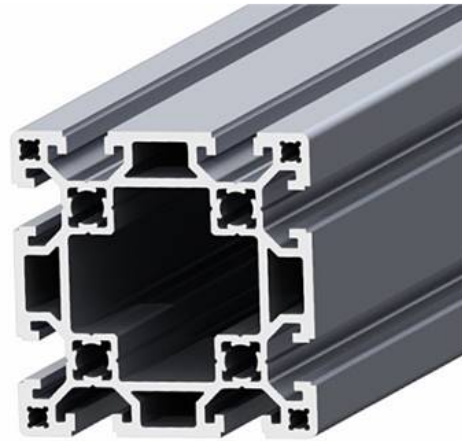
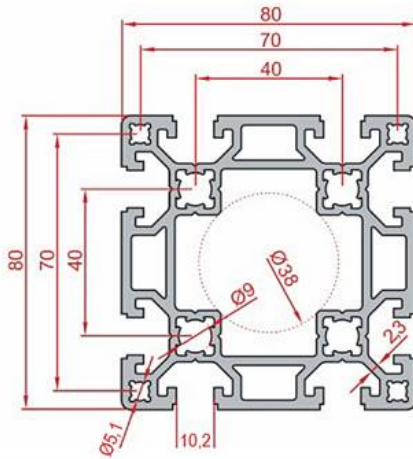


80X80 HEAVY SIGMA PROFILE



General Specifications

These profile series can meet required resistance at middle loading capacities and are preferred on bench bodies, machine frames and bearing platform beams.

Stock Code	Stock Name	External Dimensions	Material	L(mm)	Ix	Iy	Wx	Wy	Area	Mass
1.1.10.080080.01	80x80 Heavy Sigma Profile	80x80	6063	6000	127,1 cm ⁴	127,1 cm ⁴	31,78 cm ³	31,78 cm ³	17,77 cm ²	4,80 Kg/m