

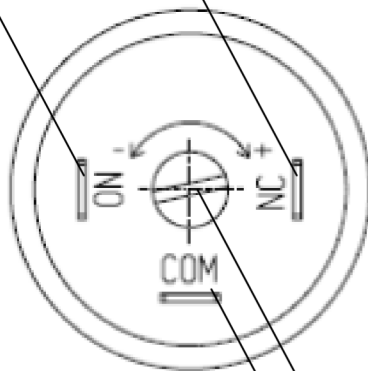
GP600 PRESSURE SWITCH



Electrical Connections

NORMALLY OPEN

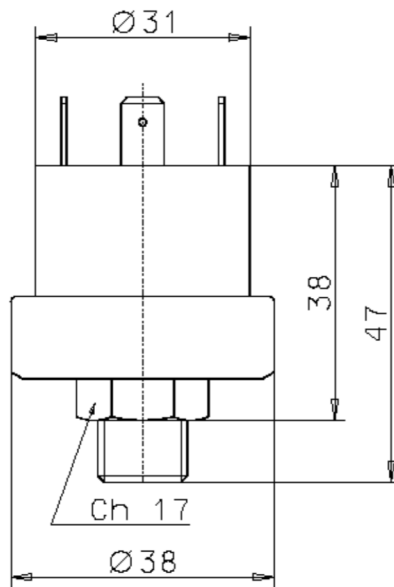
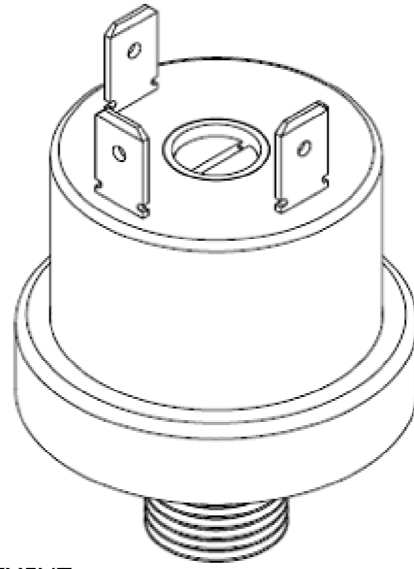
NORMALLY CLOSED



SWITCH POINT ADJUSTMENT

COMMON

GP600



Homologations: EN60730-1, EN60730-2-6, UL/CSA File E157180



Information on this document is subject to change without prior notice.