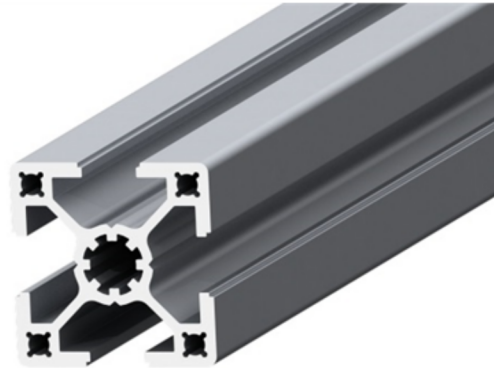
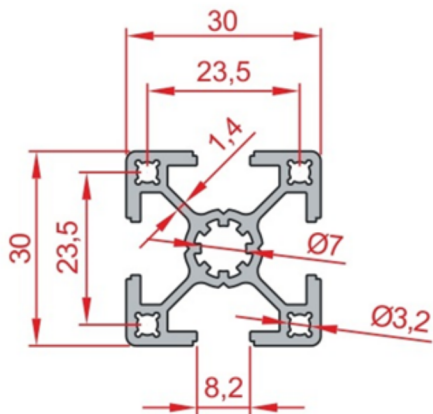


30X30 LIGHT SIGMA PROFILE



General Specifications

These series, often used in manufacturing machinery cabins, are also preferred in lighter construction applications and making of boards and display booths.

Stock Code	Stock Name	External Dimensions	Material	L(mm)	Ix	Iy	Wx	Wy	Area	Mass
1.1.08.030030.03	30x30 Super Light Sigma Profile	30x30	6063 T5	6000	2,83 cm ⁴	2,83 cm ⁴	1,88 cm ³	1,88 cm ³	2,93 cm ²	0,79 Kg/m