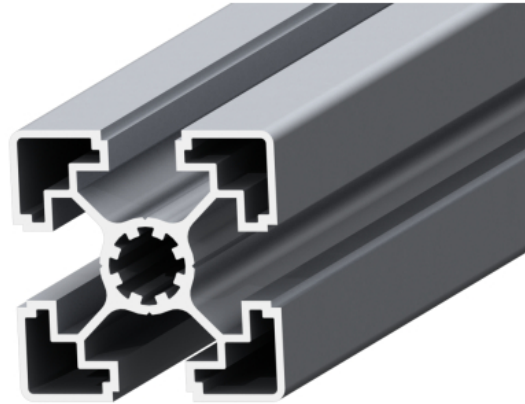
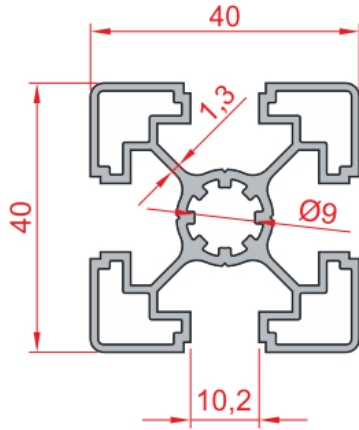


40X40 INDUSTRIAL PROFILE



General Specifications

Thanks to super-thin wall structure, it is preferred on frames not subject to load and on closing cabins of machines.

Stock Code	Stock Name	External Dimensions	Material	L(mm)	Ix	Iy	Wx	Wy	Area	Mass
1.1.10.040040.03	40x40 Industrial Super Light Profile	40x40	6063 T5	6000	5,78 cm4	5,78 cm4	2,89 cm3	2,89 cm3	3,81 cm2	1,03 Kg/m