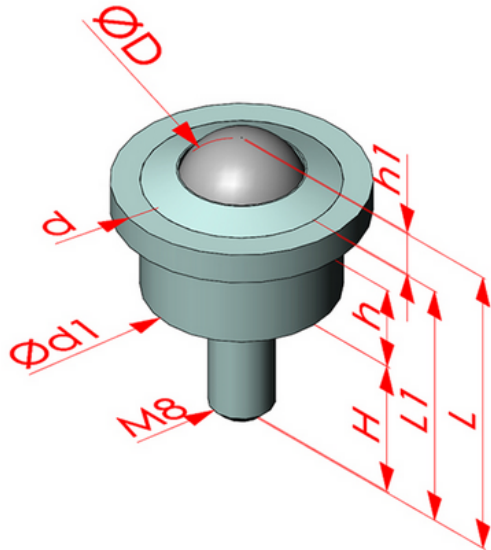


BALL TRANSFER UNIT SCREWED



General Specifications

Ball transfer units are used for easily convey and reposition products on flat bottom surfaces.  
It is suitable for use on tables and idler roller conveyor systems.

Stock Code	Stock Name	ØD	Ød1	Ød	L	L1	H	h	h1	Material	Weight (gr)
4.035.01.012.002.02	Ball Transfer Unit Screwed CP12A FL	12	18	23	30,5	28,5	15	8,2	2	20Cr	420
4.035.01.015.001.02	Ball Transfer Unit Screwed CP15A FL	15,87	24	31	39	33	18	11	6	20Cr	690