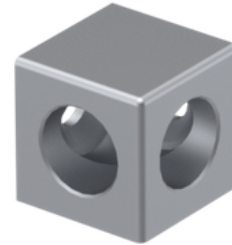
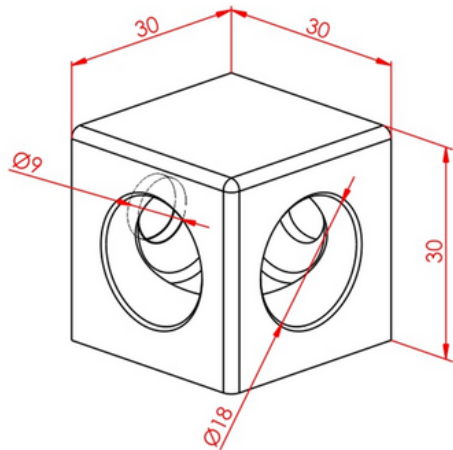
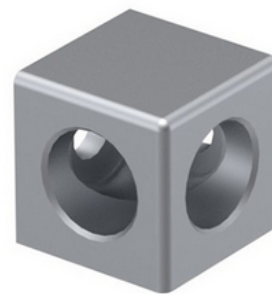
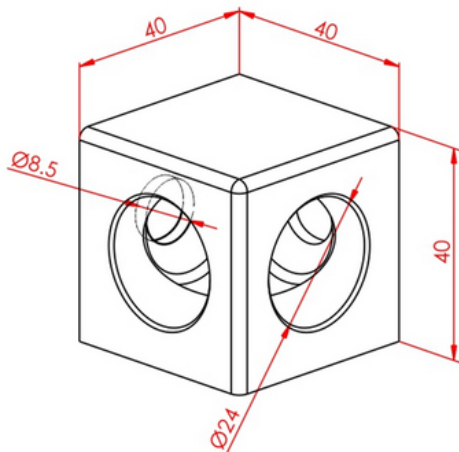


30X30 TWO-WAY SQUARE CORNER BRACKET

General Specifications

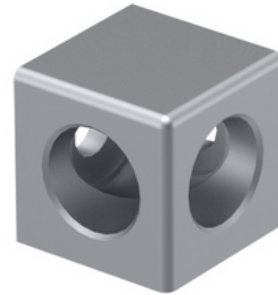
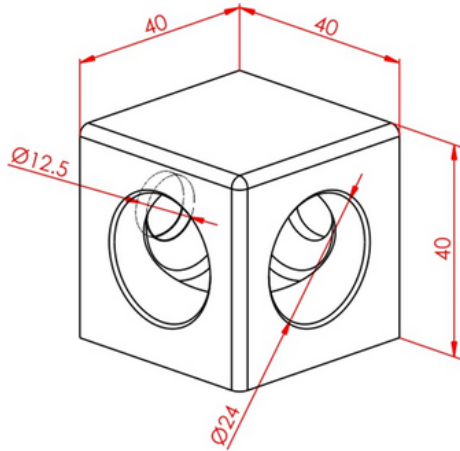
Enables corner connection of two profiles with a slot size of 8 mm.
 Enables easy assembly since it requires no drilling.
 Plastic caps mounted on the outer surface ensure stylish view.

| Stock Code | Stock Name | Material | Weight (gr) |
|--------------------|-------------------------------------|-----------|-------------|
| 2.2.001.08.3030.10 | 30x30 Two-Way Square Corner Bracket | Aluminium | 44,26 |

40X40 TWO-WAY SQUARE CORNER BRACKET

General Specifications

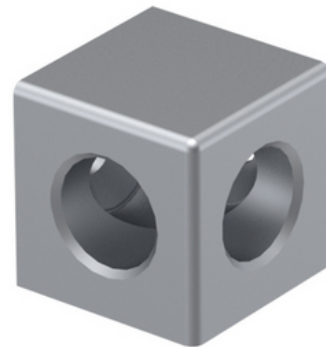
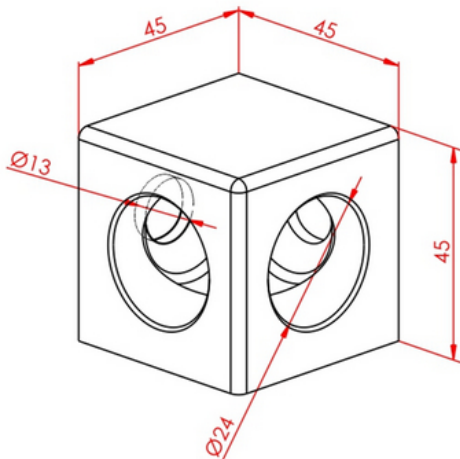
Enables corner connection of two profiles with a slot size of 8 mm.
 Enables easy assembly since it requires no drilling.
 Plastic caps mounted on the outer surface ensure stylish view.

| Stock Code | Stock Name | Material | Weight (gr) |
|--------------------|-------------------------------------|-----------|-------------|
| 2.2.001.08.4040.10 | 40x40 Two-Way Square Corner Bracket | Aluminium | 106,4 |

40X40 TWO-WAY SQUARE CORNER BRACKET

General Specifications

Enables corner connection of two profiles with a slot size of 10 mm.
 Enables easy assembly since it requires no drilling.
 Plastic caps mounted on the outer surface ensure stylish view.

| Stock Code | Stock Name | Material | Weight (gr) |
|--------------------|-------------------------------------|-----------|-------------|
| 2.2.001.10.4040.10 | 40x40 Two-Way Square Corner Bracket | Aluminium | 104,88 |

45X45 TWO-WAY SQUARE CORNER BRACKET

General Specifications

Enables corner connection of two profiles with a slot size of 10 mm.
 Enables easy assembly since it requires no drilling.
 Plastic caps mounted on the outer surface ensure stylish view.

| Stock Code | Stock Name | Material | Weight (gr) |
|--------------------|-------------------------------------|-----------|-------------|
| 2.2.001.10.4545.10 | 45x45 Two-Way Square Corner Bracket | Aluminium | 168,13 |