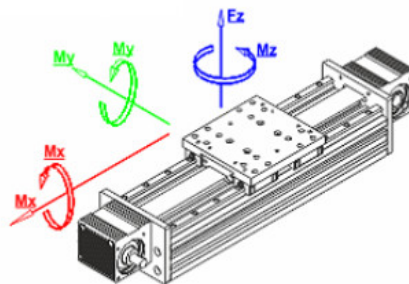
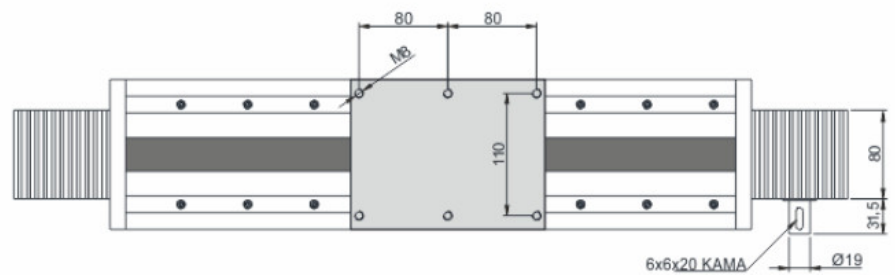
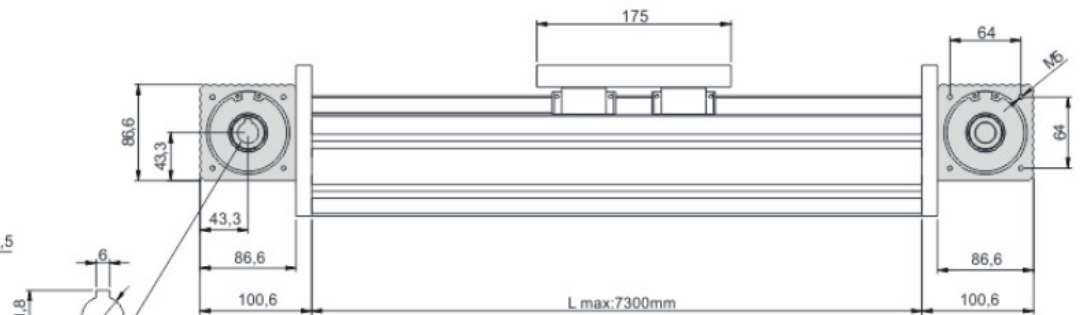
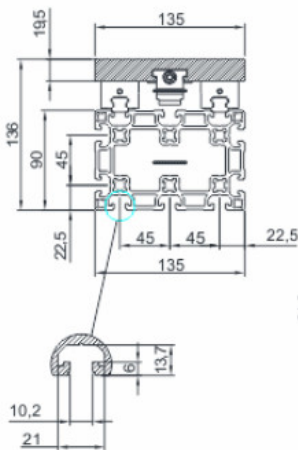


Stock Code	Stock Name	Plate Length	Timing-Belt	Linear Rail Brand	Linear Rail	Maximum Speed
5.3.02.090135.2.01	90x135 Linear Timing Belt Module	175 mm	5M 30	DMS	GHR 15	5 m/s
5.3.02.090135.2.02	90x135 Linear Timing Belt Module	175 mm	5M 30	THK	SR 15	5 m/s

Body ; 90x135 Profile (Aluminium 6063) T5
Movement Distance Per Tour ; 200 mm
Timing Pulley ; 5M-F30 Z=40
Belt Tensile Force ; 2000 N
Timing Belt Pitch ; 5 mm
Positioning Accuracy ; 0,1 mm



■ F_x	(N)	950
■ F_y	(N)	3960
■ F_z	(N)	5184
Moment		
■ M_x	(Nm)	780
■ M_y	(Nm)	528
■ M_z	(Nm)	528