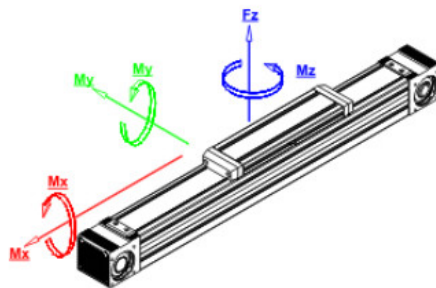
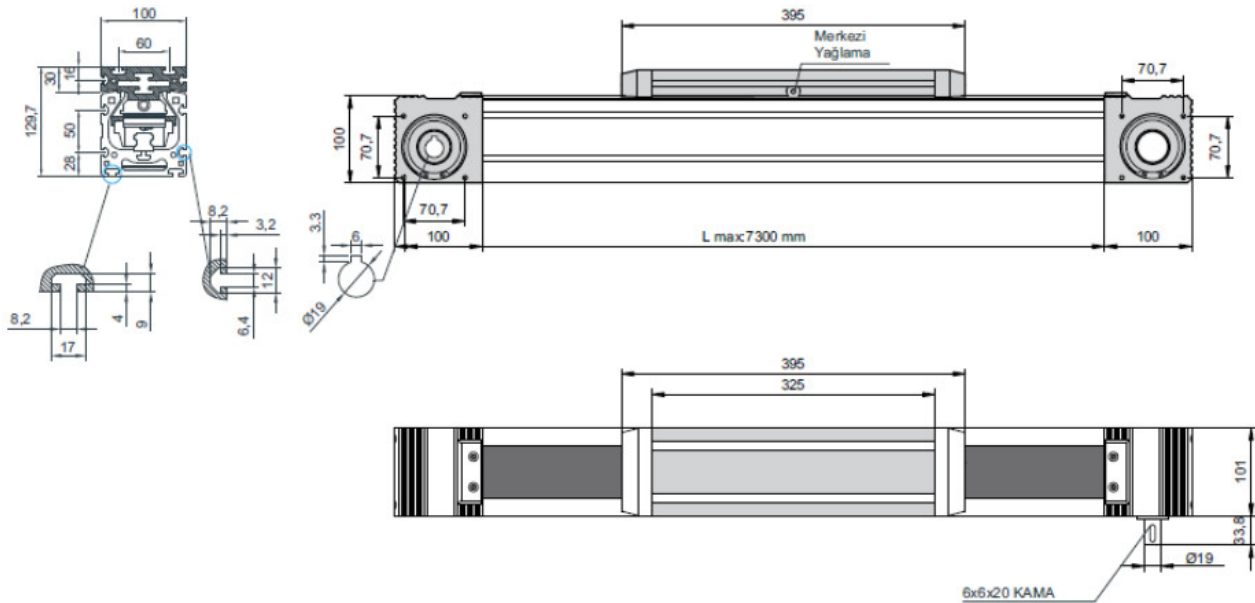


Stock Code	Stock Name	Plate Length	Timing-Belt	Linear Rail Brand	Linear Rail	Maximum Speed
5.03.01.100100.01.1000	100x100 Linear Timing Belt Compact Module	395 mm	8M 50	DMS	GHR 25	5 mt/sn
5.03.01.100100.01.1001	100x100 Linear Timing Belt Compact Module	395 mm	8M 50	THK	HSV 25	5 mt/sn

Body ; 100x100 Profile (Aluminium 6063) T5
 Movement Distance Per Tour ; 192 mm
 Timing Pulley ; 8M-F50 Z=24
 Belt Tensile Force ; 3000 N
 Timing Belt Pitch ; 8 mm
Guard ; 0,3x60 mm Steel
 Positioning Accuracy ; 0,1 mm



■ F_x	(N)	950
■ F_y	(N)	2800
■ F_z	(N)	3450
Moment		
■ M_x	(Nm)	197
■ M_y	(Nm)	230
■ M_z	(Nm)	220