

Stock Code	Stock Name	Plate Length	Timing-Belt	Induction Shaft	Maximum Speed
5.3.02.090090.1.02.2	90x90 Roller Timing Belt Module	165 mm	5M 30	Ø20 CF53 h7	5 mt/sn
5.3.02.090090.1.03.2	90x90 Roller Timing Belt Module	185 mm	8M 50	Ø20 CF53 h7	6 mt/sn

Body ; 90x90 Profile (Aluminium 6063) T5

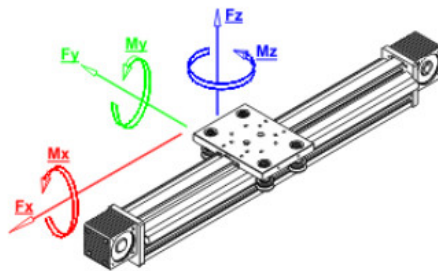
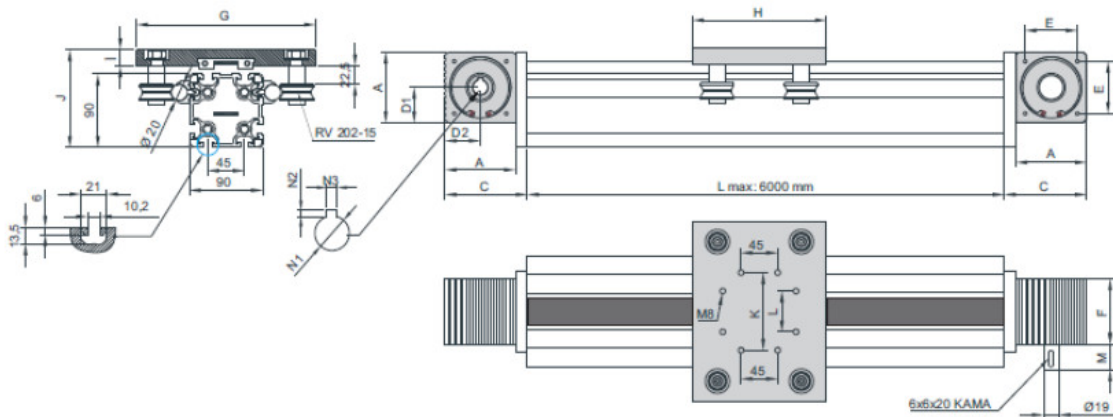
Movement Distance Per Tour ; 200 mm / 192 mm

Timing Pulley ; 5M-F30 Z=40 & 8M-F50 Z=24

Belt Tensile Force ; 2000 N / 3000 N

Timing Belt Pitch ; 5 mm / 8 mm

Positioning Accuracy ; 0,2 mm



■	F_x	(N)	750 / 950
■	F_y	(N)	1295
■	F_z	(N)	1780
Moment			
■	M_x	(Nm)	102
■	M_y	(Nm)	88
■	M_z	(Nm)	98