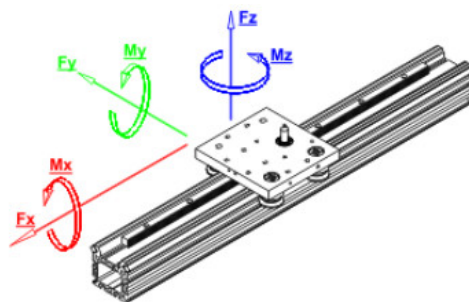
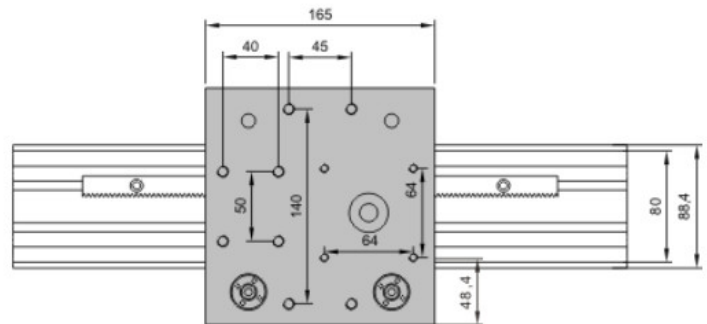
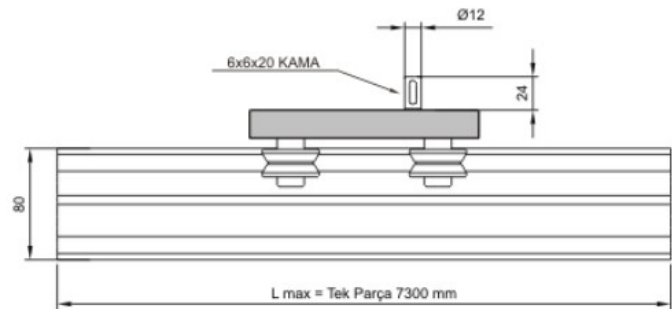
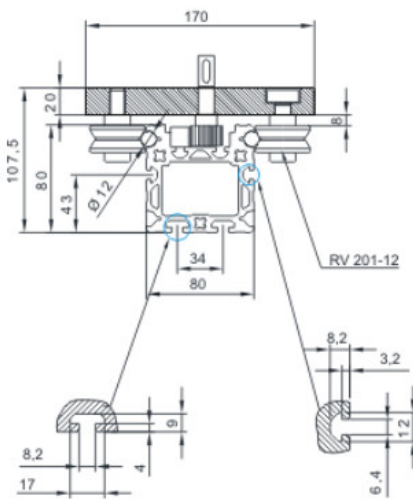




| Stock Code | Stock Name | Plate Length | Rack & Pinion | Induction Shaft | Maximum Speed |
|----------------------|------------------------------|--------------|----------------|------------------|---------------|
| 5.4.08.080080.1.01.2 | 80x80 Rack and Pinion Module | 165 mm | Mod 1 Straight | Ø12 CF53 h7 400N | 1,1 mt/sn |

Body ; 80x80 Profile (Aluminium 6063) T5
Movement Distance Per Tour ; 69,08 mm
Pinion ; Mod:1 Z:22
Gear Step ; 3,14 mm
Positioning Accuracy ; 0,2 mm



| | | |
|--|------|------|
| ■ F_x | (N) | |
| ■ F_y | (N) | 870 |
| ■ F_z | (N) | 1100 |
| Moment | | |
| ■ M_x | (Nm) | 70 |
| ■ M_y | (Nm) | 65 |
| ■ M_z | (Nm) | 75 |