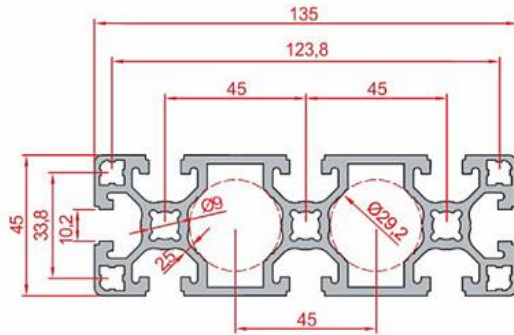


45X135 SIGMA PROFILE



General Specifications

Suitable for use on machine frames and bedding that require high resistance.  
Triple slot feature ensures strong connection.

Stock Code	Stock Name	External Dimensions	Material	L(mm)	Ix	Iy	Wx	Wy	Area	Mass
1.1.10.045135.02	45x135 Sigma Profile	45x135	6063 T5	6000	329 cm <sup>4</sup>	42,10 cm <sup>4</sup>	48,74 cm <sup>2</sup>	18,71 cm <sup>2</sup>	18,45 cm <sup>2</sup>	4,98 Kg/m