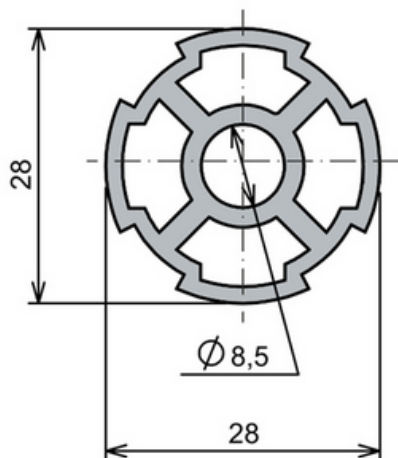


Ø28 – 1.7 MM HEAVY SERIES TUBE PROFILE



General Specifications

Stock Code	Stock Name	External Dimensions	Material	L(mm)	I _x	I _y	W _x	W _y	Area	Mass
1.6.28.03.17.00	Ø28 - 1,7 mm Heavy Series Tube Profile	Ø28	6063 T5	6000	1.41cm ⁴	1.41 cm ⁴	0.10 cm ³	0.10 cm ³	2.44 cm ²	0.91 Kg/m