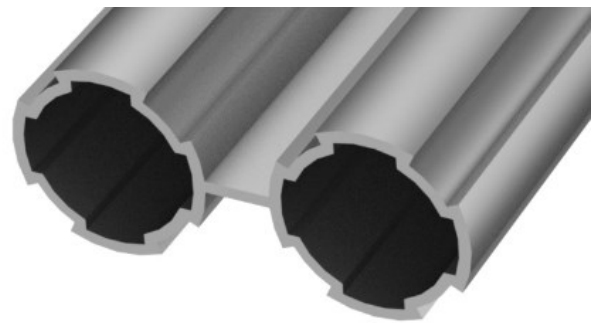
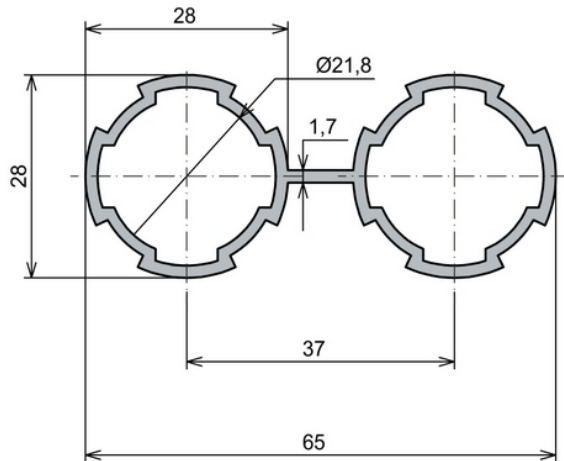


**Ø28 – 1.7 MM DOUBLE TUBE PROFILE**

**General Specifications**

Stock Code	Stock Name	External Dimensions	Material	L(mm)	I <sub>x</sub>	I <sub>y</sub>	W <sub>x</sub>	W <sub>y</sub>	Area	Mass
1.6.28.06.17.00	Ø28 - 1,7 mm Double Tube Profile	Ø28*	6063 T5	6000	2.33 cm <sup>4</sup>	1.23 cm <sup>4</sup>	0.17 cm <sup>2</sup>	0.09 cm <sup>2</sup>	3.05 cm <sup>2</sup>	1.13 Kg/m