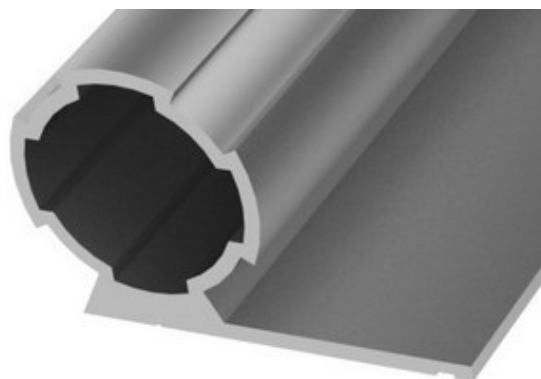
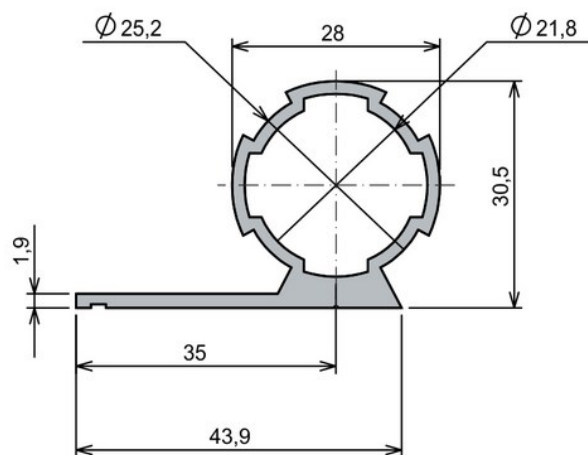


Ø28 – 1.7 MM L TUBE PROFILE



General Specifications

Stock Code	Stock Name	External Dimensions	Material	L(mm)	Ix	Iy	Wx	Wy	Area	Mass
1.6.28.04.17.00	Ø28 - 1,7 mm L Tube Profile	Ø28	6063 T5	6000	1.83 cm ⁴	3.69 cm ⁴	0.13 cm ³	0.26 cm ³	2.35 cm ²	0.87 Kg/m