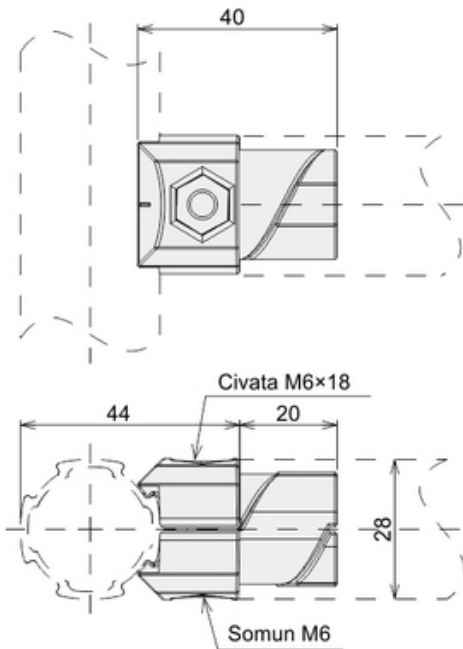


## MULTI CONNECTOR ROTATABLE - INNER



### General Specifications

Stock Code	Stock Name	Product Code	Material	Weight (gr)
2.2.050.28.02.001.02	Multi Connector Rotatable - Inner	DKJ28-B01D	Aluminum	43