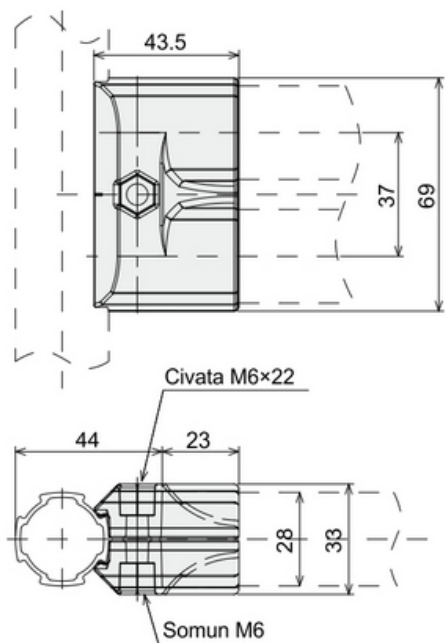


MULTI CONNECTOR DOUBLE



General Specifications

Stock Code	Stock Name	Product Code	Material	Weight (gr)
2.2.050.28.01.005.01	Multi Connector Double	DKJ28-A14	Aluminum Casting	114