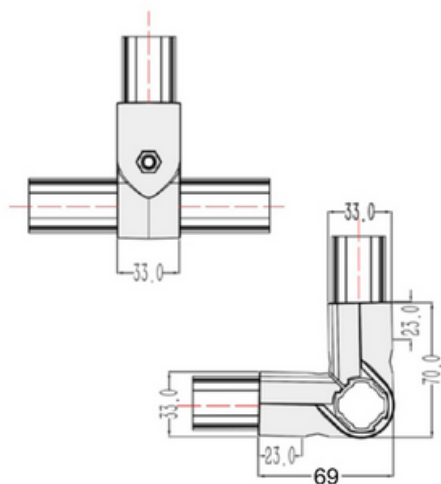


3 WAY CONNECTOR



General Specifications

Stock Code	Stock Name	Product Code	Material	Weight (gr)
2.2.050.28.11.007.01	3 Way Connector	DKJ28-C02	Aluminum Casting	127