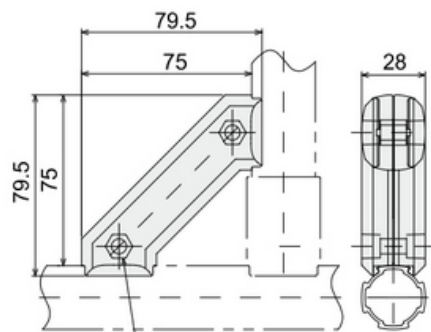


CORNER SUPPORT CONNECTION - SHORT



2-Hexagon Socket Head Cap High Bolt M6×18
2-Hexagon High Nut M6



General Specifications

Stock Code	Stock Name	Product Code	Material	Weight (gr)
2.2.050.28.00.009.03	Corner Support Connection - Short	DK.J28-A09D	Aluminum Casting	96