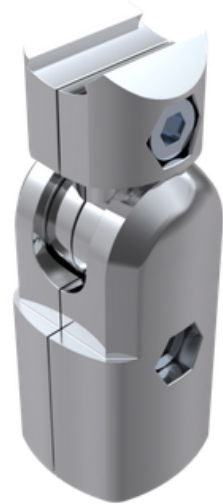
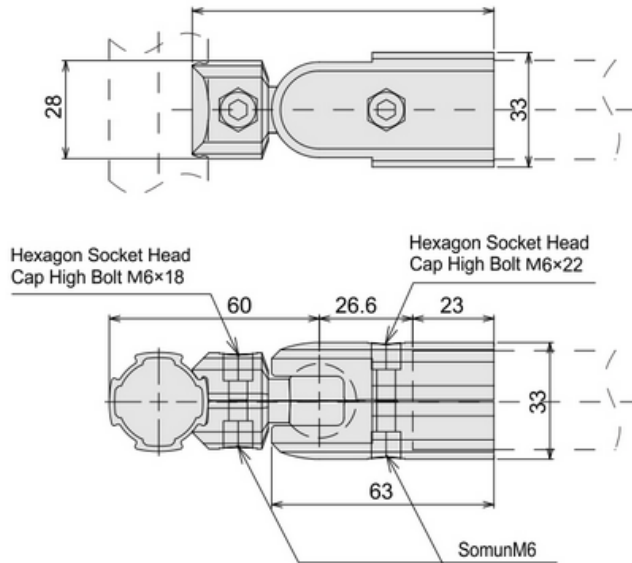


### 90° ANGLED CONNECTOR - OUTER



#### General Specifications

| Stock Code            | Stock Name                   | Product Code | Material         | Weight (gr) |
|-----------------------|------------------------------|--------------|------------------|-------------|
| 2.2.050.28.01.010.090 | 90° Angled Connector - Outer | DKJ28-A07D   | Aluminum Casting | 127         |