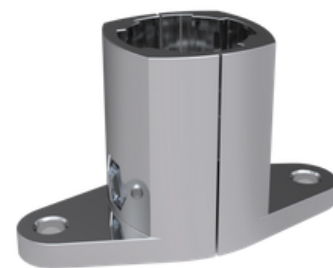
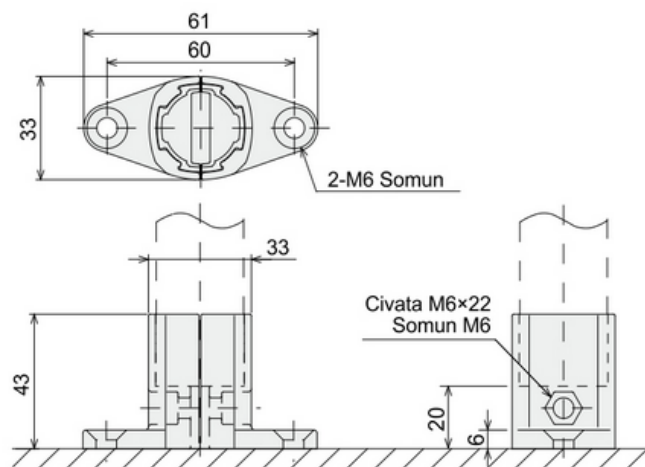


## GROUND FIXING CONNECTOR



### General Specifications

Stock Code	Stock Name	Product Code	Material	Weight (gr)
2.2.050.28.01.011.01	Ground Fixing Connector	BKJ28-A17	Moulage d'aluminium	79