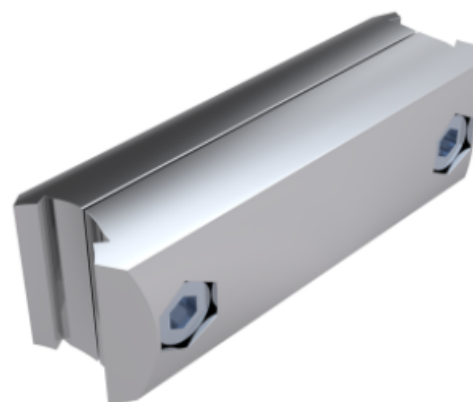
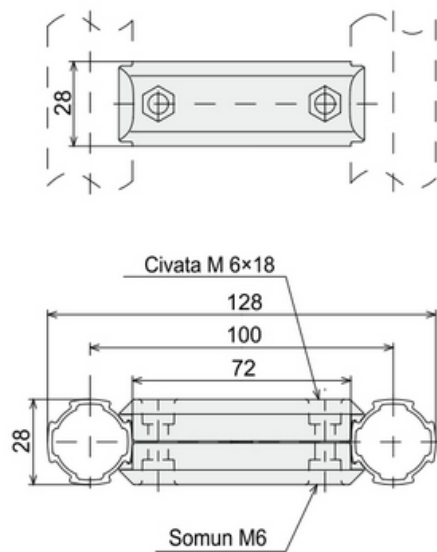


BRIDGE CONNECTOR



General Specifications

Stock Code	Stock Name	Product Code	Material	Weight (gr)
2.2.050.28.00.013.01	Bridge Connector	DKJ28-A08	Aluminum Casting	89