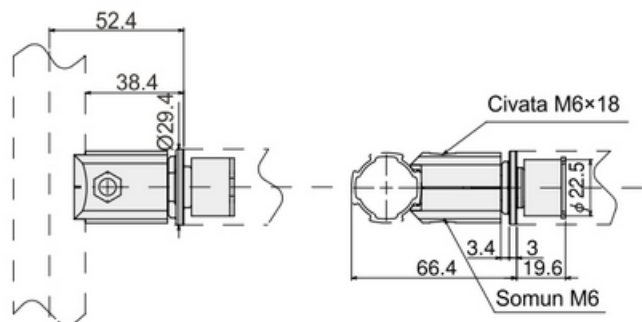


## PIN CONNECTOR



### General Specifications

Stock Code	Stock Name	Product Code	Material	Weight (gr)
2.2.050.28.02.021.02	Pin Connector	DKE28-08	Moulage d'aluminium	78