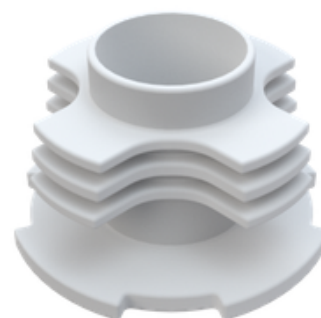
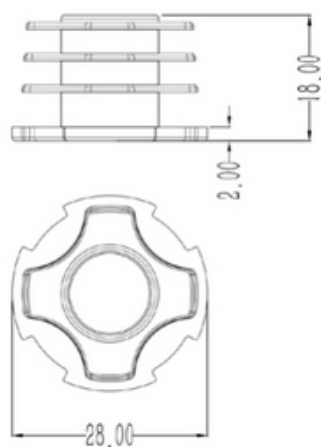


TUBE PROFILE END CAP



General Specifications

Stock Code	Stock Name	Product Code	Material	Weight (gr)
2.3.050.28.01.01.00	Tube Profile End Cap	DKP28-01	polypropylene	2