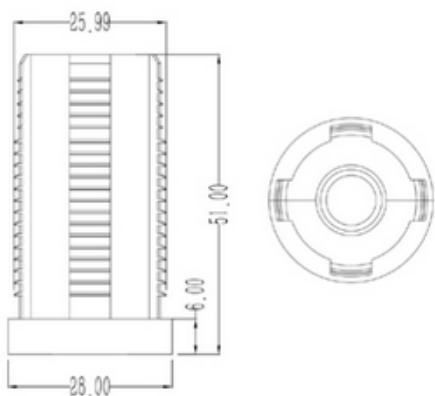


Ø28 FOOT CONNECTOR PLASTIC



General Specifications

Stock Code	Stock Name	Product Code	Material	Weight (gr)
2.3.050.28.03.02.00	Ø28 Foot Connector Plastic	DKP28-10	polypropylene	28