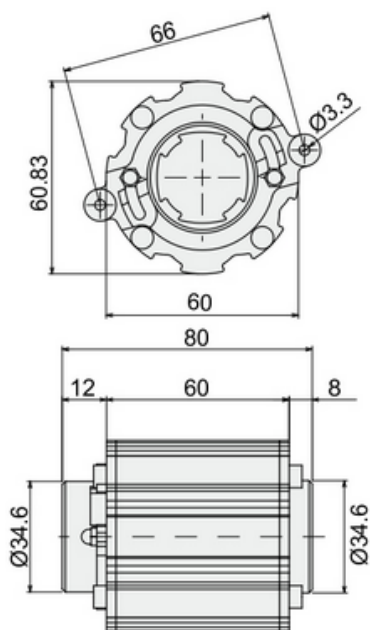


LOCKED ROTARY CONNECTOR



General Specifications

Stock Code	Stock Name	Product Code	Material	Weight (gr)
2.3.050.28.09.02	Locked Rotary Connector	DKE28-31	6065T6+Polypropylene+Carbon Steel	345