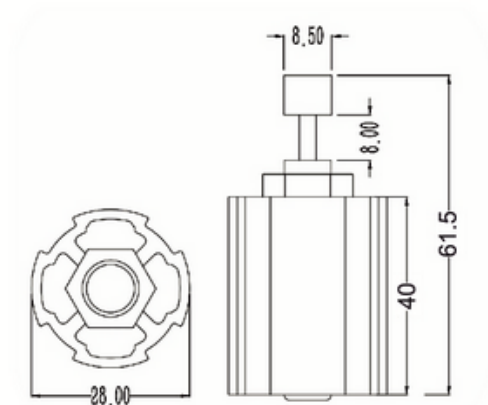


HYDRAULIC DAMPER STROKE 8 MM



General Specifications

Stock Code	Stock Name	Product Code	Material	Weight (gr)
2.3.050.28.10.01.08	Hydraulic Damper Stroke 8 mm	DKE28-26	6065-T6+Carbon Steel	40