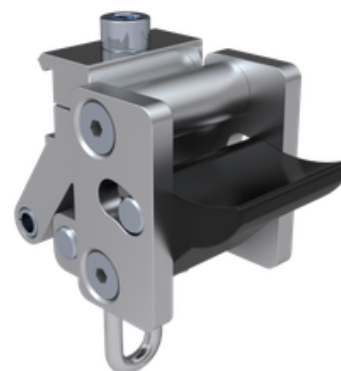
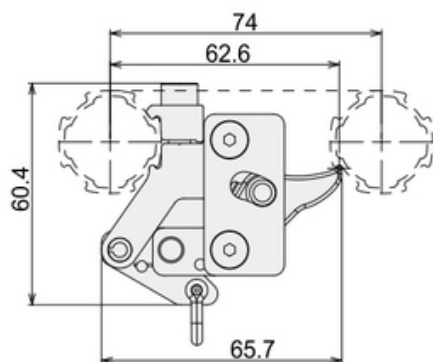


VERTICAL LIFT LOCK



General Specifications

Application examples

Technical Documents

Stock Code	Stock Name	Product Code	Material	Weight (gr)
2.3.050.28.25.01	Vertical Lift Lock	DKE28-35	6065T6+Polypropylene+Carbon Steel	130