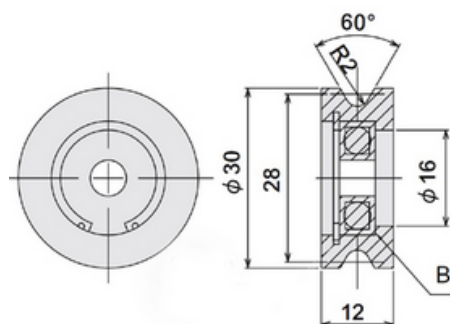


U GROOVE PLASTIC PULLEY Ø30



General Specifications

Stock Code	Stock Name	Product Code	Material	Weight (gr)
2.3.050.28.08.02.30.1	U Groove Plastic Pulley Ø30	DKE28-17	Polypropylene+Carbon Steel	12