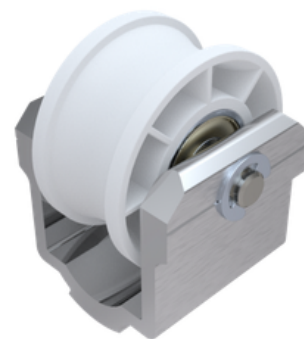
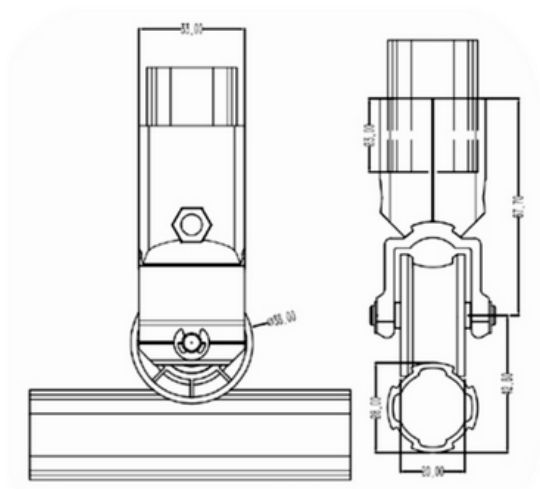


SLIDE ROLLER



General Specifications

Stock Code	Stock Name	Product Code	Material	Weight (gr)
2.3.050.28.22.02.33.48	Slide Roller	DKZ28-Z10	Aluminum Casting+Delrin	69