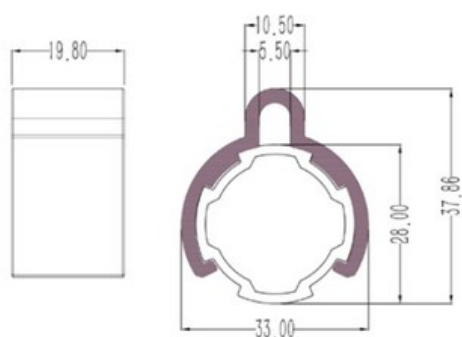


Ø28 HANGTAG CLIP



General Specifications

Stock Code	Stock Name	Product Code	Material	Weight (gr)
2.3.050.28.06.01.20.38	Ø28 Hangtag Clip	DKP28-05	polypropylene	3