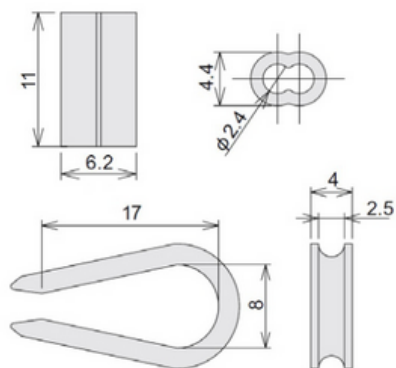


**ROPE CONNECTION CLIP SET**



**General Specifications**

Stock Code	Stock Name	Product Code	Material	Weight (gr)
2.3.050.28.18.01	Rope Connection Clip Set	DKE28-20	Acier Carbone	5