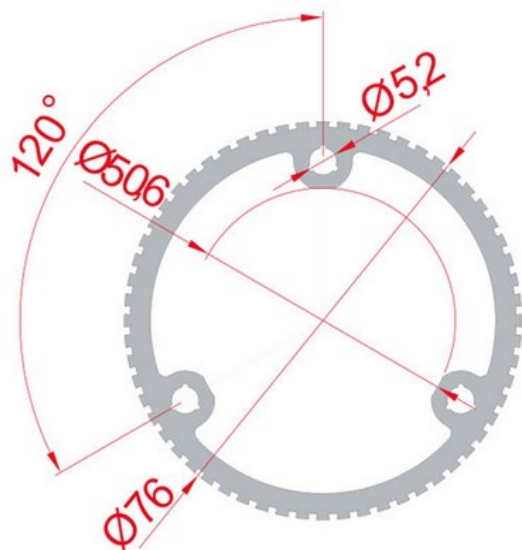


DRUM PROFILE Ø76

General Specifications

This profiles which used in forming of tension-drive drums, are the most important component of drive transmission in conveyor systems. The serrated form on the surfaces of the profiles is minimizes the sliding risk of the material, so it provides a linear flow of material even the lightest loads. Therewithal, the length options that can be produced according to the special sizes, allow the use of different width bands.

Stock Code	Stock Name	External Dimensions	Material	L(mm)	Ix	Iy	Wx	Wy	Area	Mass
1.2.00.076.01	Drum Profile (Aluminum) Ø76	Ø76	6063 T5	3200	70.10 cm ⁴	70.10 cm ⁴	18.48 cm ²	18.45 cm ²	11.70 cm ²	3.17 Kg/m