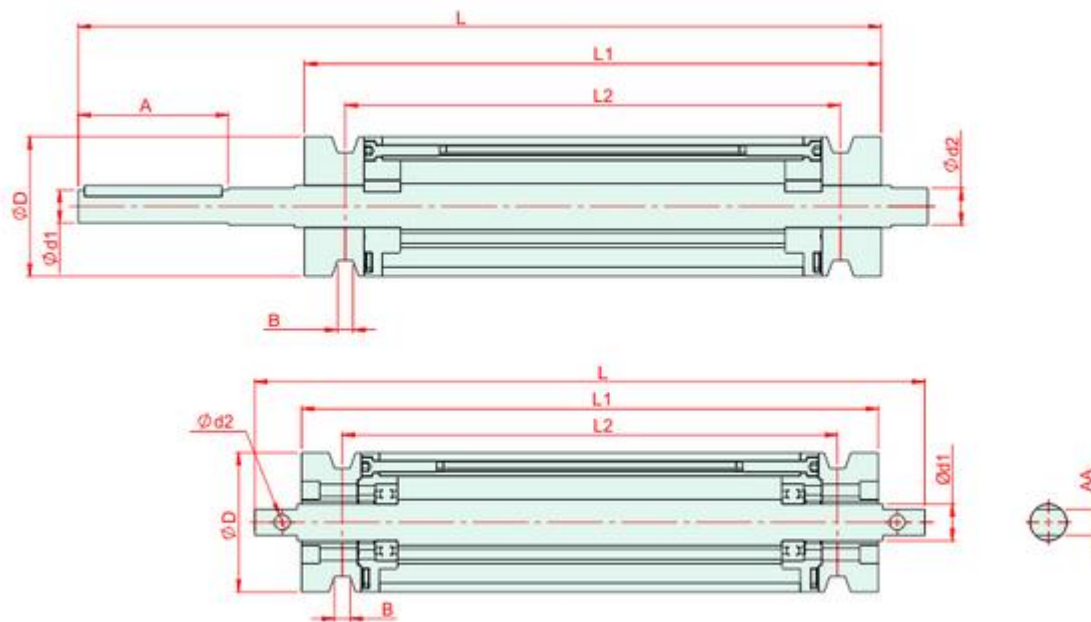


**Ø114 Channeled Tension - Drive Drums**



Stock Code	Stock Name	Belt Width	L	L1	L2	B	ØD	Ød1	Ød2	A	AA	Material	Weight (gr)
3.008.02.114.0300.1	Ø114 Grooved Drive Drum	300	541	315	266	11.5	114	25	25	138	-	Alm.Extrz.	6270
3.008.01.114.0300.1	Ø114 Channeled Tension Drum	300	366	315	266	11.5	114	25	9	-	14	Alm.Extrz.	5535
3.008.02.114.0450.1	Ø114 Grooved Drive Drum	450	697	465	416	11.5	114	25	25	138	-	Alm.Extrz.	8000
3.008.01.114.0450.1	Ø114 Channeled Tension Drum	450	516	465	416	11.5	114	25	9	-	14	Alm.Extrz.	7400
3.008.02.114.0600.1	Ø114 Grooved Drive Drum	600	841	615	566	11.5	114	25	25	138	-	Alm.Extrz.	9800
3.008.01.114.0600.1	Ø114 Channeled Tension Drum	600	666	615	566	11.5	114	25	9	-	14	Alm.Extrz.	9000
3.008.02.114.0800.1	Ø114 Grooved Drive Drum	800	1041	815	766	11.5	114	25	25	138	-	Alm.Extrz.	12200
3.008.01.114.0800.1	Ø114 Channeled Tension Drum	800	866	815	766	11.5	114	25	9	-	14	Alm.Extrz.	11400
3.008.02.114.1000.1	Ø114 Grooved Drive Drum	1000	1241	1015	966	11.5	114	25	25	138	-	Alm.Extrz.	11400
3.008.01.114.1000.1	Ø114 Channeled Tension Drum	1000	1066	1015	966	11.5	114	25	9	-	14	Alm.Extrz.	13600