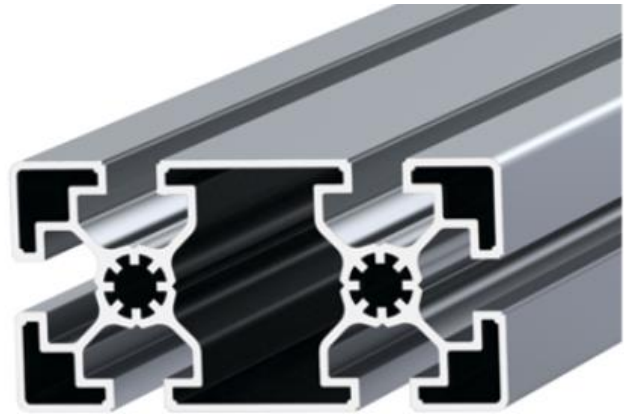
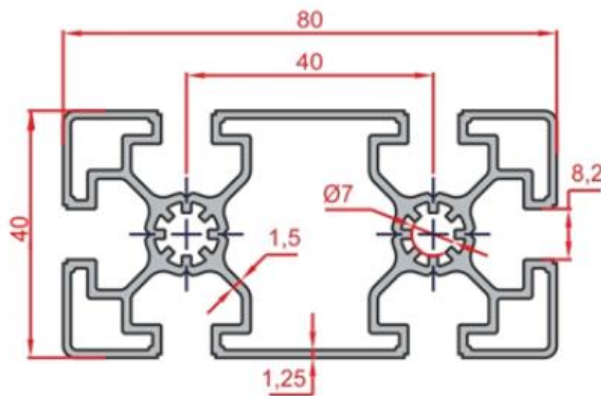


### 40x80 Super Light Sigma Profile



#### General Specifications

Can be preferred in side connections of machine frames, resistant constructions, line groups and bodies with pneumatic connection.

Stock Code	Stock Name	External Dimensions	Material	L(mm)	I <sub>x</sub>	I <sub>y</sub>	W <sub>x</sub>	W <sub>y</sub>	Area	Mass
1.1.08.040080.03	40x80 Super Light Sigma Profil	40x80	6063 T5	6000	11.54 cm <sup>4</sup>	46.89 cm <sup>4</sup>	5.77 cm <sup>3</sup>	11.72 cm <sup>3</sup>	7.07 cm <sup>2</sup>	1.92 Kg/m