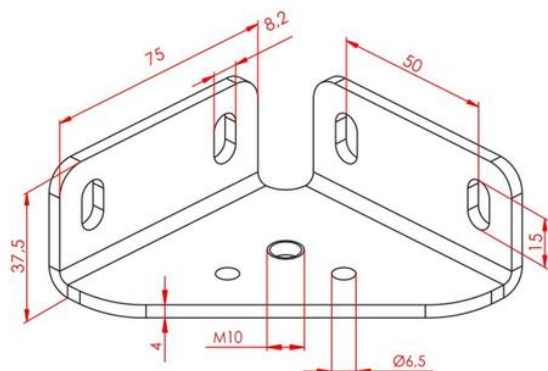


### Corner Feet Connection Piece



#### General Specifications

- 1-The connection sheet, which can be used as a strong corner connection, is also made of mdf, sheet metal, plexi etc. thanks to the connection holes on its outer surface. It enables the assembly of products.
- 2-In addition to the corner connection, it can be used as a foot connection plate. Thanks to the internal connection system, aesthetic appearance and durable connection are provided. It is possible to make different foot connections by pulling the M12 and M16 guides instead of the standard M10 guides.

Stock Code	Stock Name	Material	Weight (gr)
2.2.002.040045.00.10	Corner Foot Connection Piece	DKP	301