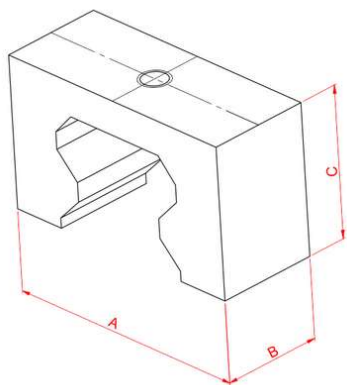


### Hg 15 Rail Stopper



#### General Specifications

Suitable for use in places where the top plate of the module is required to remain stationary. Since it is a movable product, stopping can be done wherever desired. We recommend using two pieces if necessary according to the load in vertical use.

Stock Code	Stock Name	A	B	C	Material	Weight (gr)
4.036.01.15.01	Hg 15 Rail Stopper	30	20	20	Aluminium	23
4.036.01.20.01	Hg 20 Rail Stopper	41	20	26	Aluminium	42
4.036.01.25.01	Hg 25 Rail Stopper	45	20	30	Aluminium	51
4.036.01.30.01	Hg 30 Rail Stopper	50	20	30	Aluminium	51
4.036.01.35.01	Hg 35 Rail Stopper	60	20	35	Aluminium	70
4.036.01.45.01	Hg 45 Rail Stopper	70	25	45	Aluminium	125