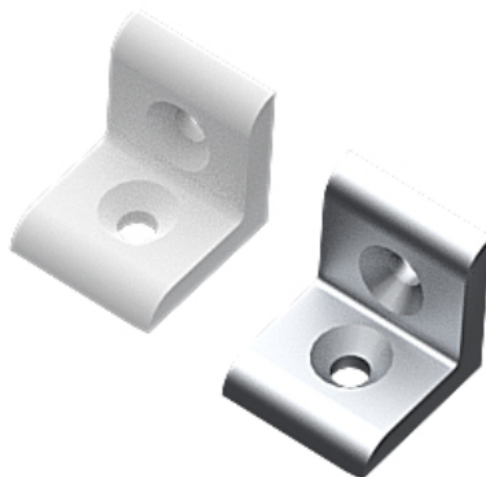
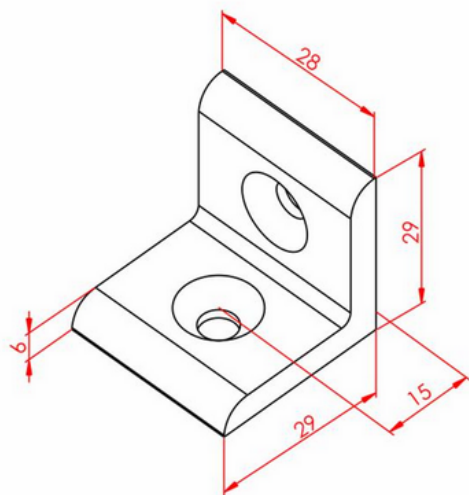


30X30 PLAIN CORNER JOINT

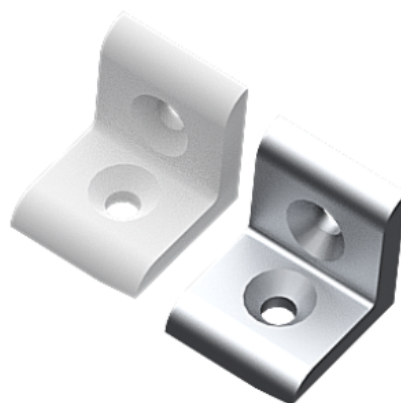
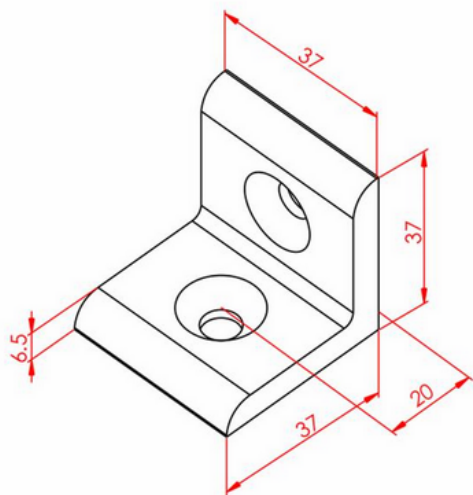


General Specifications

Preferred for practical connection of light-loaded constructions.
 Areas of use include boards, frames and simple chassis operations.

Stock Code	Stock Name	Material	Weight (gr)
2.2.001.08.3030.01	30x30 Plain Corner Joint	Aluminium	21
2.2.001.08.3030.09	30x30 Plain Corner Bracket (Painted White)	Aluminium	21

40X40 PLAIN CORNER BRACKET

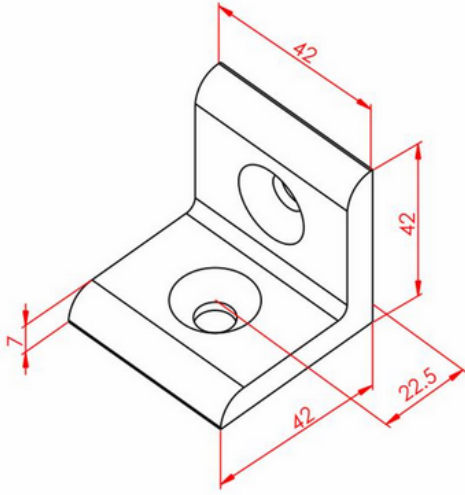


General Specifications

Preferred for practical corner joint of light-load constructions.
Areas of use include boards, frames and simple chassis applications.

Stock Code	Stock Name	Material	Weight (gr)
2.2.001.10.4040.01	40x40 Plain Corner Bracket	Aluminium	39
2.2.001.10.4040.09	40x40 Plain Corner Bracket (Painted White)	Aluminium	39

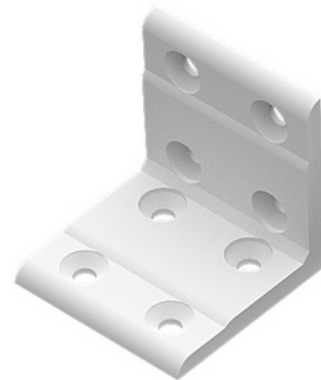
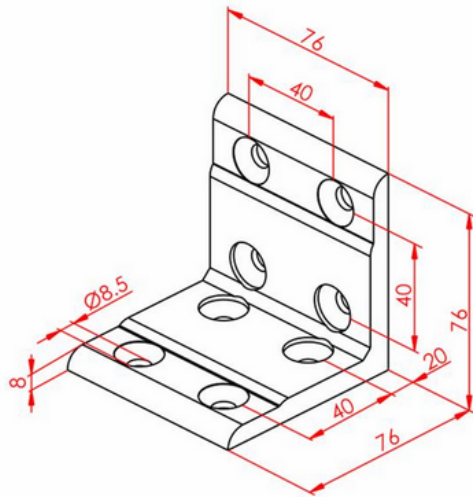
45X45

**General Specifications**

--	--	--	--

Stock Code	Stock Name	Malzeme	Ağırlık (gr)
2.2.001.10.4545.01	45x45 Düz Köşe Bağlantı (Kumlamalı)	Alüminyum	56
2.2.001.10.4545.09	45x45 Düz Köşe Bağlantı (Beyaz Boyalı)	Alüminyum	56

80X80 PLAIN CORNER BRACKETS



General Specifications

Preferred for practical corner connections of light-load constructions.
Areas of use include board, frame and simple chassis operations.

Stock Code	Stock Name	Material	Weight (gr)
2.2.001.10.8080.01	80x80 Plain Corner Brackets	Aluminium	206