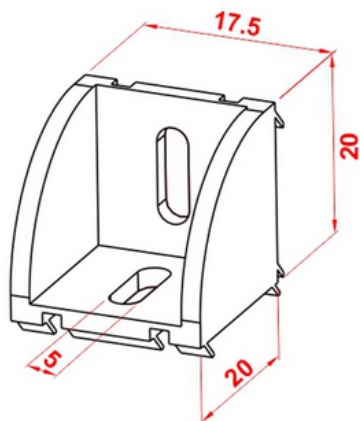


20X25 WIDE CORNER JOINT

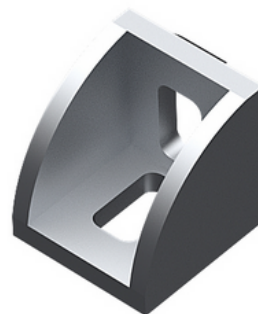
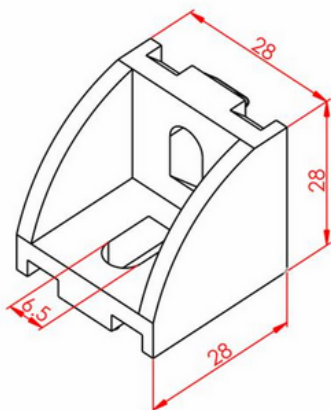


General Specifications

Used in assembly of construction operations that require medium strength.
 Preferred for practical and solid connections of frames, boards, cabins etc.
 Corner connection caps provide hygiene and stylish view.

Stock Code	Stock Name	Material	Weight (gr)
2.2.001.06.2025.03	20x25 Wide Corner Joint	Etial 150 Aluminium	15,5

30X30 WIDE CORNER BRACKET

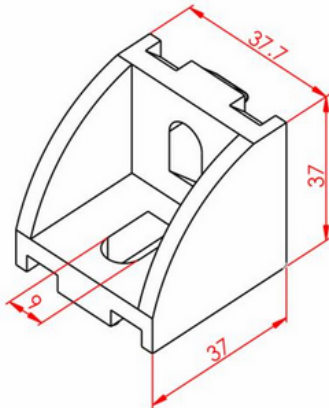


General Specifications

Used for mounting construction applications that require medium strength.
 Preferred for practical and sound connection of applications such as frame, board, cabin etc.
 Corner bracket caps ensure hygiene and stylish view.

Stock Code	Stock Name	Material	Weight (gr)
2.2.001.08.3030.03	30x30 Wide Corner Bracket	Etial 150 Aluminium	41,5

40X40 WIDE CORNER BRACKET

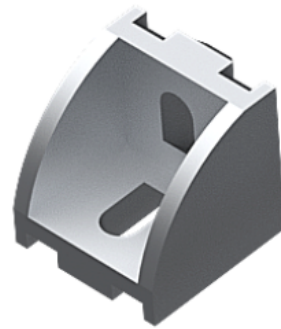
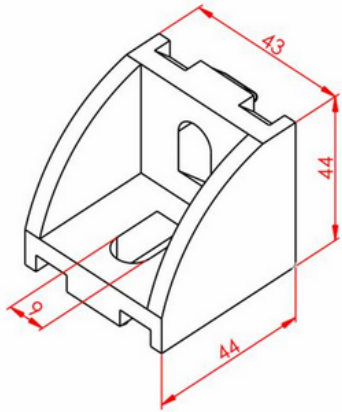


General Specifications

Used for mounting construction applications that require medium strength.
 Preferred for practical and sound connection of applications such as frame, board, cabin etc.
 Corner bracket caps ensure hygiene and stylish view.

Stock Code	Stock Name	Material	Weight (gr)
2.2.001.10.4040.03	40x40 Wide Corner Bracket	Etial 150 Aluminium	49
2.2.001.08.4040.03	40x40 Wide Corner Bracket (K8)	Etial 150 Aluminium	49

45X45 WIDE CORNER BRACKET

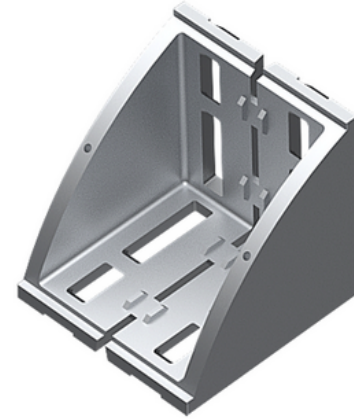
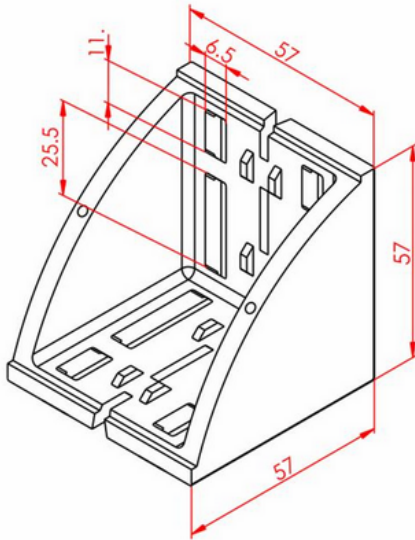


General Specifications

Used for mounting construction applications that require medium strength.
 Preferred for practical and sound connection of applications such as frame, board, cabin etc.
 Corner bracket caps ensure hygiene and stylish view.

Stock Code	Stock Name	Material	Weight (gr)
2.2.001.10.4545.03	45x45 Wide Corner Bracket	Etial 150 Aluminium	75

60X60 WIDE CORNER BRACKET

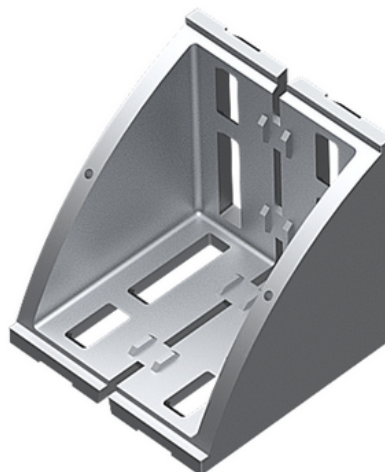
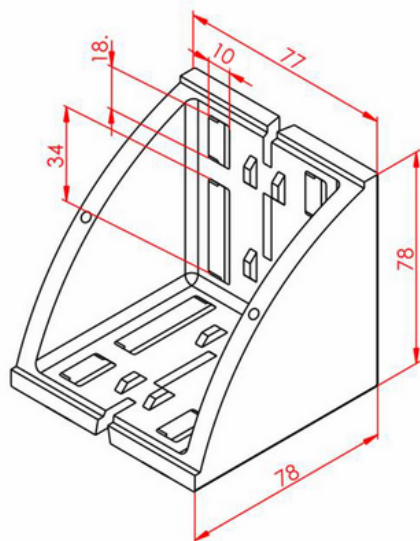


General Specifications

Used to obtain corner brackets on constructions that require strength.
 Used for practical and sound assembly of frame, board and cabin applications.
 Corner bracket caps ensure hygiene and stylish view.

Stock Code	Stock Name	Material	Weight (gr)
2.2.001.08.6060.03	60x60 Wide Corner Bracket	Etial 150 Aluminium	98

80X80 WIDE CORNER BRACKET

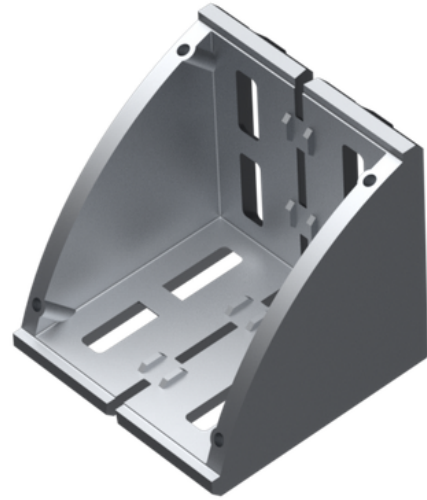
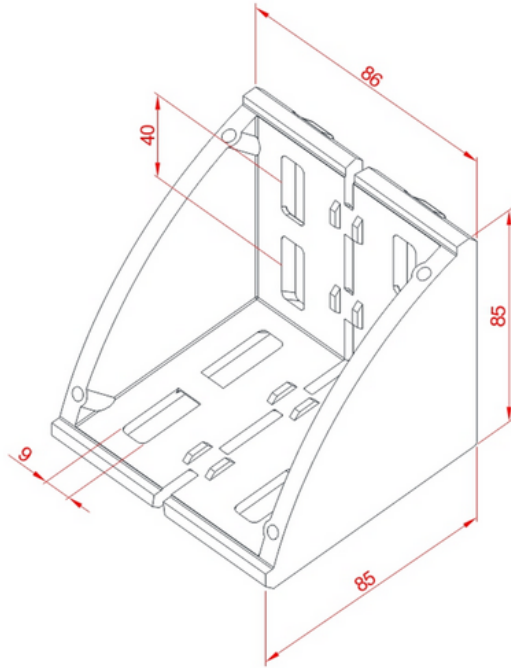


General Specifications

Used to obtain corner brackets on constructions that require strength.
 Used for practical and sound assembly of frame, board and cabin applications.
 Corner bracket caps ensure hygiene and stylish view.

Stock Code	Stock Name	Material	Weight (gr)
2.2.001.10.8080.03	80x80 Wide Corner Bracket	Etiel 150 Aluminium	226
2.2.001.08.8080.03	80x80 Wide Corner Bracket (K8)	Etiel 150 Aluminium	226

90X90 WIDE CORNER BRACKET



General Specifications

Used to obtain corner connections in construction applications that require resistance.
 Used for practical and sound mounting of frame, board, cabin applications.
 Corner bracket caps ensure hygiene and stylish view.

Stock Code	Stock Name	Material	Weight (gr)
2.2.001.10.9090.03	90x90 Wide Corner Bracket	Etial 150 Alüminyum	310