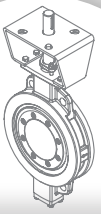


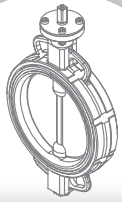
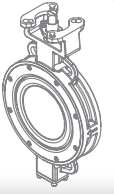
S10 series Wafer Flat Body Ball Valves

OUR PRODUCTION



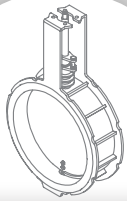
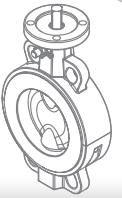
501M series - Triple Eccentric Metal Seated Butterfly Valves

401N series - Double Eccentric Butterfly Valves



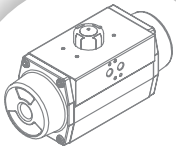
301 / 301E series - Butterfly Valves with rubber seat

301TSS / 301TT series - Butterfly Valves with PTFE lined

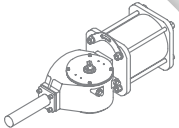


HT600 series - Damper valves for high temperature

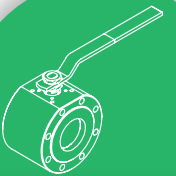
AP / APM series - Pneumatic Rotary Actuators



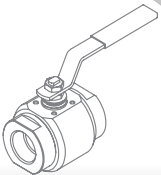
APG series - Schotch Yoke Pneumatic Actuators



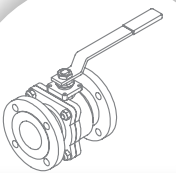
S10 series - Wafer Flat Body Ball Valves



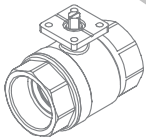
S20 series - Two-pieces 800 p.s.i. Ball Valves



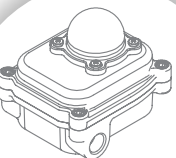
S30 series - Split Body Ball Valves



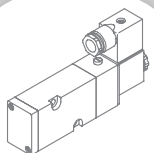
S40, S50, S60, S70, S80 series - Threaded actuated and manual ball valves



MBX series - Limit Switch Box



SVS series - Solenoid valve 5/2 or 3/2 way



ACCESSORIES



Sirca International SpA was founded in the late seventies, and started doing business as a manufacturer of complete automation and pneumatic regulation systems.

Our flagship product is rotating pneumatic quarter-turn actuators which are compact, lightweight and highly reliable.

Subsequently, our company entered the Italian market with the production and sale of rubber-seated butterfly valves, double eccentric butterfly valves, ball valves and check valves.

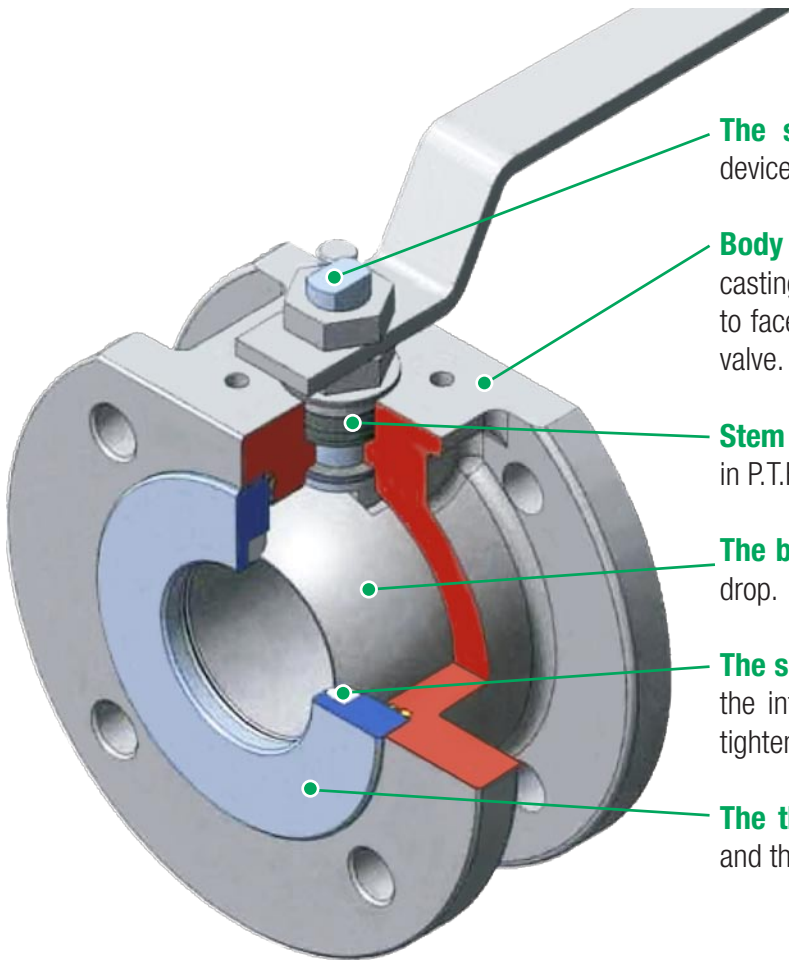
In time at Sirca International we began marketing and producing accessories to actuate, control and regulate valves. These were installed on our own valves and actuators in order to offer our customers complete “assemblies” that are capable of meeting the most varied system requirements.

Beginning in the 1990s, our company began looking at foreign markets and in a short time we started exporting more than 60% of our production.

This type of market development requires continuous product innovation as well as continuous effort to maintain product competitiveness and quality.

With this motivation and these objectives, with the arrival of the new millenium we at Sirca International began designing and producing the triple eccentric butterfly valve metal-seated that are currently top of the range of the valves produced at Sirca.

The main strong points of Sirca International SpA lie in our product quality, competitive price, large warehouse stocks and in the reliability of our services. These confirm our status as a Leading Company on the national and international markets.



The stem is anti blow-out and it has an antistatic device.

Body The one-piece valve body obtained from precision casting (inox) or from cutout (carb. steel) has a little face to face (flat body) that allows the easy installation of the valve.

Stem packing adjustable with Chevron rings in P.T.F.E. + carbographe.

The ball has a plus diameter that reduces the pressure drop.

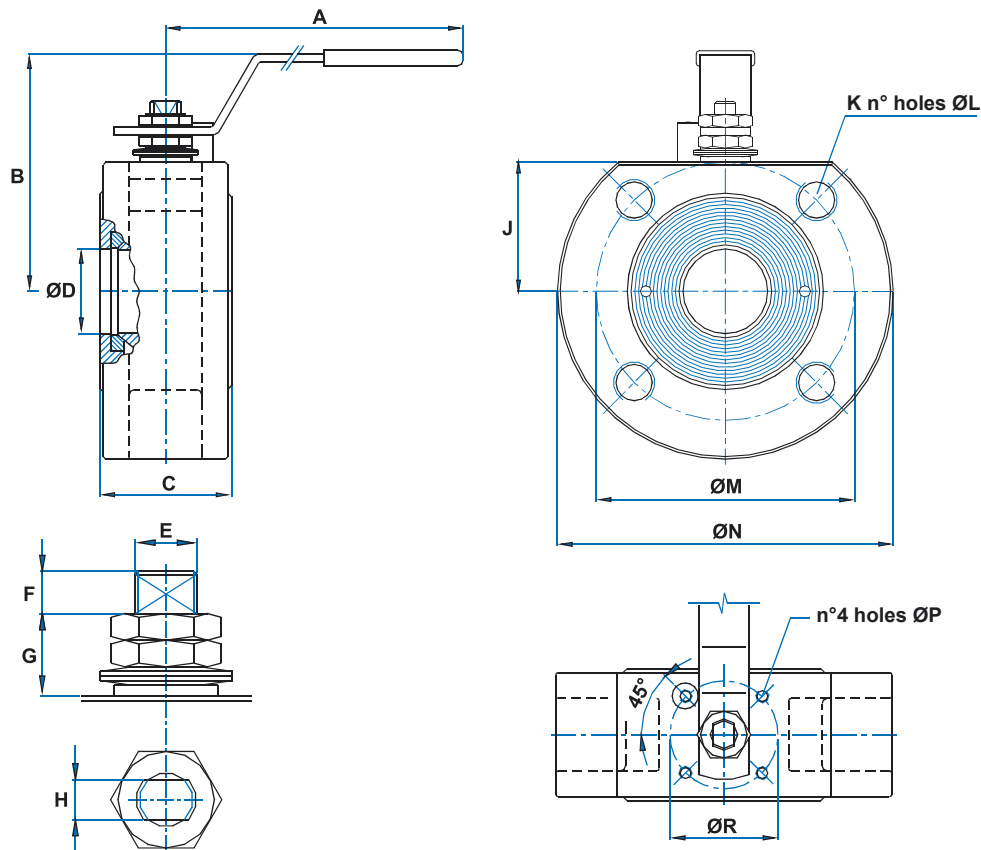
The seat consists of two rings in P.T.F.E. mounted inside the internal slots of the valve to guarantee the perfect tightening.

The threaded metal ring where is inserted the main and the secondary seat, is screwed on the body.

Main features

- Full bore ball valve
- Anti blow out stem
- Anti-static device
- Stem packing with Chevron rings
- Working pressure 40 bar max
- Rotary angle 90°
- PN10-PN16-PN25-PN40 flanges according to UNI EN1092-1
- The valve can be mounted in both direction's flow
- Top flange in accordance with DIN-ISO 5211
- Construction according to EN12516.2 and ASMEB16.34
- Hand lever, pneumatic or electric actuator

Size range	1/2" ÷ 8" (DN15 ÷ DN200) full bore
Type	Wafer
Design	ASME B16.34, EN 12516-2, ISO 14313
Face to face dimension	EN 558 series 100
Top flange	ISO 5211
Max working pressure	40 bar bidirectional
Flange drilling	PN6, PN10, PN16, PN25, PN 40, ANSI class 150, class 300
Operating temperature	-20 °C ÷ +200 °C (-4 °F ÷ +392 °F)
Standard materials	Body: Carbon Steel, Stainless Steel Ball: AISI 304, CF8M Stem: AISI 304, AISI 316 Seat: PTFE+fiber glass, PTFE+carbographe
Leakage class	Rate "A" - No leakage - according to EN 12266-1
Applications	Air, gas, liquids free from impurities for industrial environments, plants, waters treatment, other applications with compatible materials to working conditions
Certifications	2014/68/UE PED, 2014/34/UE ATEX, Fire Safe API 607, ISO 10497, API 6FA SIL - IEC 61508, IEC 61511, GOST-R, CU TR 10 – CU TR 32



PN6 ÷ PN40 - ANSI 150

SIZE		A	B	C	ØD	E	F	G	H	J	ØN	PN6		PN10-16			PN 25-40			ANSI 150			ØP	ØR	ISO	WEIGHT (Kg)		
mm	ins											K	ØL	ØM	K	ØL	ØM	K	ØL	ØM	K	ØL	ØM				bar	casting
15	1/2	125	58	35	15	10	7	8	6	33	91,5	4	M10	55	4	M12	65	4	M12	65	4	1/2" UNC	60,3	M5	36	F03	1,44	1,13
20	3/4	125	63	39	19	10	7	8	6	38	97,5	4	M10	65	4	M12	75	4	M12	75	4	1/2" UNC	69,8	M5	36	F03	1,68	1,5
25	1	165	87	43	24	12	8	13	8	45	112	4	M10	75	4	M12	85	4	M12	85	4	1/2" UNC	79,4	M5	42	F04	2,8	2,2
32	1 1/4	165	87	51,5	31	12	10	16	8	50	128	4	M12	90	4	M16	100	4	M16	100	4	1/2" UNC	88,9	M5	42	F04	4,14	2,71
40	1 1/2	240	102	64	38	16	10	20	10	55	139	4	M12	100	4	M16	110	4	M16	110	4	1/2" UNC	98,4	M6	50	F05	6,2	4
50	2	240	112	83	49	16	10	20	10	64	161	4	M12	110	4	M16	125	4	M16	125	4	5/8" UNC	121	M6	50	F05	10,6	6,3
65	2 1/2	310	138	105	64	22	14	28	14	79	177	8*	M12	130	8	M16	145	8	M16	145	4	5/8" UNC	140	M8	70	F07	14,77	11,1
80	3	310	147	120	75	22	14	28	14	89	195	4	M16	150	8	M16	160	8	M16	160	4	5/8" UNC	152	M8	70	F07	21	14,7
100	4	476	147	152	101	30	18	30	18	98	224	4	M16	170	8	M16	180	8	M20	190	8	5/8" UNC	191	M8	70	F07	35,5	29,5
125	5	476	184	196	118	30	18	30	18	112	255	8	M16	200	8	M16	210	8	M24	220	8	3/4" UNC	216	M10	102	F10	50,5	50,5
150	6	476	253	236	151	30	20	42	18	142	290	8	M16	225	8	M20	240	8	M24	250	8	3/4" UNC	241	M12	125	F12	80,5	80,5
200	8	520	294	315	202	50	20	48	30	181	375	8	M16	280	8	M20	295	12	M24 M27	310 320	8	3/4" UNC	298	M14	140	F14	151	151

ANSI 300

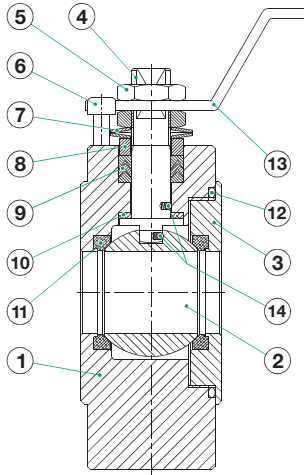
DIAM - SIZE		A	B	C	ØD	E	F	G	H	J	ØN	K	ANSI 300		ØM	ØP	ØR	ISO	PESO -WEIGHT (kg)	
mm	ins												ØL							from bar
15	1/2	125	78	35	15	10	7	8	6	33	95	4	1/2" UNC	66,7	M5	36	F03			2,1
20	3/4	125	98	39	19	10	7	8	6	40	115	4	5/8" UNC	82,6	M5	36	F03			2,6
25	1	165	101	43	24	12	8	13	8	45	125	4	5/8" UNC	88,9	M5	42	F04			3,4
32	1" 1/4	165	115	51,5	31	12	10	16	8	50	135	4	5/8" UNC	98,4	M5	42	F04			6
40	1" 1/2	240	123	64	38	16	10	20	10	55	155	4	3/4" UNC	114,3	M6	50	F05			8
50	2	240	131	83	49	16	10	20	10	70	165	8	5/8" UNC	127	M6	50	F05			12
65	2" 1/2	310	146	105	64	22	14	28	14	85	190	8	3/4" UNC	149,2	M8	70	F07			14
80	3	310	162	120	75	22	14	28	14	93,5	210	8	3/4" UNC	168,3	M8	70	F07			20
100	4	476	147	152	101	30	18	30	18	103,5	255	8	3/4" UNC	200	M8	70	F07			45,7

Dimensions ØP, ØR in accordance to ISO5211.

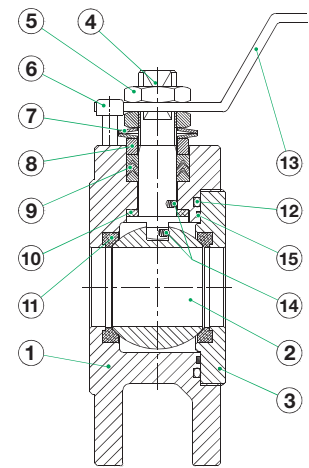
Dimensions K, ØL, ØM, ØN in accordance to UNI EN1092-1 (PN10-16 and ASME B16.5

* ATTENTION: Only for DN65 PN 10-16, where steel flange and consequently ball valve are requires with 4 holes, these may be supplied by agreement between valve manufacturer and purchaser.

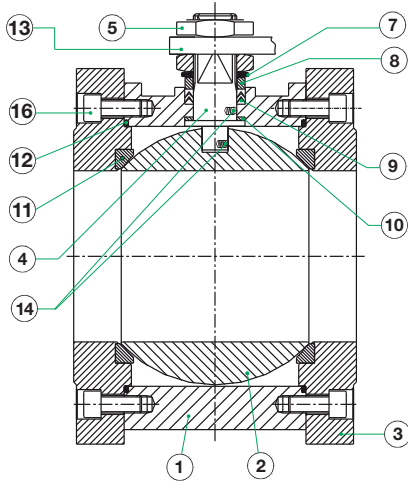
DN125-5" ÷ DN100-4" IN CARBON STEEL



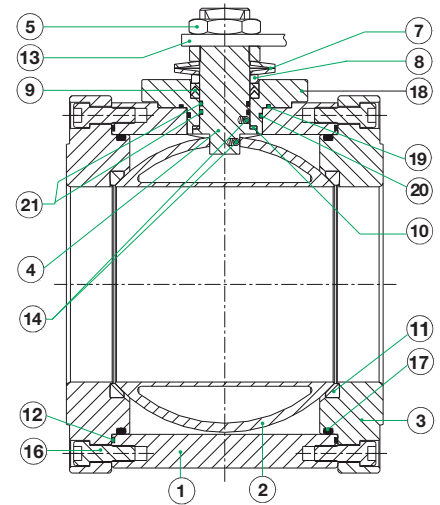
DN125-5" ÷ DN100-4" IN STAINLESS STEEL



DN125-5" AND DN150-6" IN CARBON STEEL AND STAINLESS STEEL



DN200-8" IN CARBON STEEL AND STAINLESS STEEL

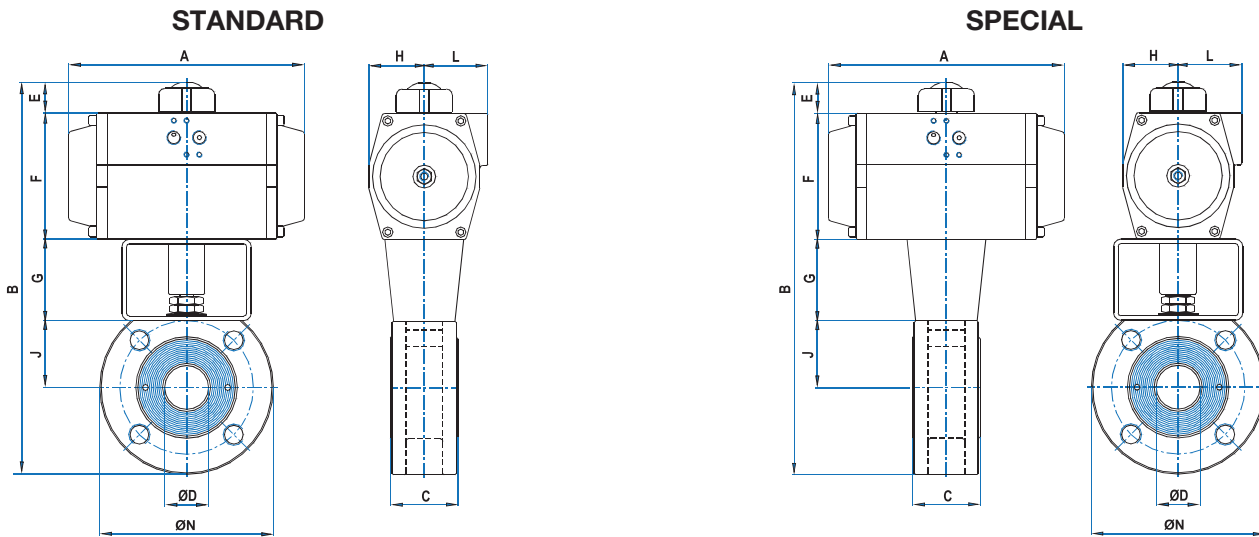


Item	Description	STANDARD CONFIGURATION		Q.ty
		Carbon steel	Stainless steel	
1	Body	Carbon steel ASTM A350 LF2	Stainless steel ASTM A351 CF8M (EN 1.4408)	1
2	Ball	Stainless steel AISI 304	Stainless steel ASTM A351 CF8M (EN 1.4408)	1
3	Threaded metal ring / Flange	Carbon steel ASTM A350 LF2	Stainless steel ASTM A351 CF8M (EN 1.4408)	1
4	Stem	Stainless steel AISI 304	Stainless steel ASTM A351 CF8M (EN 1.4408)	1
5	Nut	Stainless steel A 2	Stainless steel A2	2
6	Stop pin	E.N.P. Carbon steel	Stainless steel AISI 303	1
7	Belleville spring	E.N.P. Carbon steel	E.N.P. Carbon steel	2
8	Stuffing box	E.N.P. Carbon steel	Stainless steel AISI 303	1
9*	Gland packing	P.T.F.E. + 25% Carbographeite	P.T.F.E. + 25% Carbographeite	1
10	Stem seal ring	Graphoil	Graphoil	1
11*	Seat	P.T.F.E. + 15% Fiber glass	P.T.F.E. + 15% Fiber glass	2
12*	O-Ring	NBR	VITON	**
13	And lever	Fe 360 B zinc plating	Stainless steel AISI 304	1
14	Anti-static device	Stainless steel AISI 316	Stainless steel AISI 316	2
15*	Seal ring	-	P.T.F.E. + 15% Fiber glass	1
16	Screw	Carbon steel 8.8 zinc plating	Stainless steel A 2	***
17*	O-Ring	NBR	VITON	2
18	Upper plug	Carbon steel ASTM A 105 (EN 1.4060)	Stainless steel AISI 304	1
19*	O-Ring	NBR	VITON	1
20*	O-Ring	NBR	VITON	1
21*	O-Ring	NBR	VITON	2

* Spare part suggested

** The quantity of these parts changes according to the DN size

*** The quantity of the screws changes according to the DN size



WITH DOUBLE ACTING ACTUATOR

SIZE		MODEL	A	B	C	ØD	E	F	G	H	J	L	ØN				WP max		WEIGHT (Kg)	
mm	ins												PN6	PN10 PN16	PN25 PN40	ANSI 150	bar	bar	bar	bar
15	1/2	AP2 DA	155	232	35	15	20	83	50	36,5	33	44,5	86	91	91	86	17,5	3.44	3.43	
		AP3 DA	213	249	35	15	20	100	50	50	33	49,5	86	91	91	86	40	4.74	4.43	
20	3/4	AP2 DA	155	240	39	19	20	83	50	36,5	38	44,5	88	97	97	97	17,5	3.68	3.47	
		AP3 DA	213	257	39	19	20	100	50	50	38	49,5	88	97	97	97	40	4.98	4.67	
25	1	AP3 DA	213	271	43	24	20	100	50	50	45	49,5	98	112	112	106	17,5	6.10	5.50	
		AP3 DA	213	271	43	24	20	100	50	50	45	49,5	98	112	112	106	40	6.10	5.50	
32	1 1/4	AP3 DA	213	284	51,5	31	20	100	50	50	50	49,5	116	128	128	116	17,5	6.61	5.85	
		AP3 DA	213	284	51,5	31	20	100	50	50	50	49,5	116	128	128	116	40	6.61	5.85	
40	1 1/2	AP3 DA	213	305	64	38	20	100	60	50	55	49,5	126	139	139	126	17,5	8.87	6.87	
		AP3,5 DA	236	315	64	38	20	110	60	49	55	53	126	139	139	126	40	10.35	8.35	
50	2	AP3,5 DA	236	335	83	49	20	110	60	49	64	53	149	161	161	149	17,5	14.75	10.45	
		AP3,5 DA	236	335	83	49	20	110	60	49	64	53	149	161	161	149	40	14.75	10.45	
65	2 1/2	AP3,5 DA	236	358	105	64	20	110	60	49	79	53	159	177	177	177	17,5	19.00	15.90	
		AP4 DA	276	373	105	64	20	125	60	55	79	58	159	177	177	177	40	20.50	15.90	
80	3	AP4 DA	276	392	120	75	20	125	60	55	89	58	189	195	195	189	17,5	27.20	21.00	
		AP4,5 DA	310	419	120	75	30	142	60	64	89	69	189	195	195	189	40	29.70	21.00	
100	4	AP4,5 DA	310	482	152	101	30	142	100	64	98	69	224	224	224	224	17,5	44.70	38.70	
		AP5 DA	366	495	152	101	30	155	100	70	98	-	224	224	224	224	40	48.13	42.13	
125	5	AP5 DA	366	517	196	118	30	155	100	70	112	-	240	240	240	240	17,5	63.13	57.13	
		AP5 DA	366	517	196	118	30	155	100	70	112	-	240	240	240	240	40	63.13	57.13	
150	6	AP5,5 DA	388	593	236	151	30	176	100	80	142	-	290	290	290	290	17,5	95.93	95.93	
		AP5,5 DA	388	593	236	151	30	176	100	80	142	-	290	290	290	290	40	95.93	95.93	
200	8	AP6 DA	468	699	315	202	30	200	100	87,5	181	-	375	375	375	375	17,5	176.7	176.7	
		AP6 DA	468	699	315	202	30	200	100	87,5	181	-	375	375	375	375	40	176.7	176.7	

WITH SPRING RETURN ACTUATOR

SIZE		MODEL	A	B	C	ØD	E	F	G	H	J	L	ØN				WP max		WEIGHT (Kg)	
mm	ins												PN6	PN10 PN16	PN25 PN40	ANSI 150	bar	bar	bar	bar
15	1/2	AP3 SR	213	249	35	15	20	100	50	42	33	49,5	86	91	91	86	17,5	5.10	4.83	
		AP3 SR	213	249	35	15	20	100	50	42	33	49,5	86	91	91	86	40	5.10	4.83	
20	3/4	AP3 SR	213	257	39	19	20	100	50	42	38	44,5	88	97	97	97	17,5	5.34	5.16	
		AP3 SR	213	257	39	19	20	100	50	42	38	49,5	88	97	97	97	40	5.34	5.16	
25	1	AP3 SR	213	271	43	24	20	100	50	42	45	49,5	98	112	112	106	17,5	6.66	6.06	
		AP3,5 SR	236	281	43	24	20	110	50	49	45	53	98	112	112	106	40	8.21	7.61	
32	1 1/4	AP3,5 SR	236	294	51,5	31	20	110	50	49	50	53	116	128	128	116	17,5	9.55	8.12	
		AP3,5 SR	236	294	51,5	31	20	110	50	49	50	53	116	128	128	116	40	9.55	8.12	
40	1 1/2	AP3,5 SR	236	315	64	38	20	110	60	49	55	53	126	139	139	126	17,5	11.61	9.41	
		AP4 SR	276	330	64	38	20	125	60	55	55	58	126	139	139	126	40	13.62	11.42	
50	2	AP4 SR	276	350	83	49	20	125	60	55	64	58	149	161	161	149	17,5	18.02	13.72	
		AP4,5 SR	310	377	83	49	30	142	60	64	64	69	149	161	161	149	40	20.82	16.52	
65	2 1/2	AP4,5 SR	310	400	105	64	30	142	60	64	79	69	159	177	177	177	17,5	25.99	22.32	
		AP4,5 SR	310	400	105	64	30	142	60	64	79	69	159	177	177	177	40	25.99	22.32	
80	3	AP4,5 SR	310	419	120	75	30	142	60	64	89	69	189	195	195	189	17,5	32.22	28.55	
		AP5 SR	366	432	120	75	30	155	60	70	89	-	189	195	195	189	40	36.65	32.98	
100	4	AP5,5 SR	388	516	152	101	30	176	100	80	98	-	224	224	224	224	17,5	54.35	48.35	
		AP5,5 SR	388	516	152	101	30	176	100	70	98	-	224	224	224	224	40	54.35	48.35	
125	5	AP6 SR	468	562	196	118	30	200	100	87,5	112	-	240	240	240	240	17,5	78.4	78.4	
		AP6 SR	468	562	196	118	30	200	100	87,5	112	-	240	240	240	240	40	78.4	78.4	
150	6	AP6 SR	468	617	236	151	30	200	100	87,5	142	-	290	290	290	290	17,5	108.4	108.4	
		AP8 SR	563	687	236	151	50	250	100	107,5	142	-	290	290	290	290	40	131.2	131.2	
200	8	AP8 SR	563	769	315	202	50	250	100	107,5	181	-	375	375	375	375	17,5	201.62	201.62	
		AP8 SR	563	769	315	202	50	250	100	107,5	181	-	375	375	375	375	40	201.62	201.62	

Actuator sizing: air supply actuator 5.5 bar (80 psi) min.
For ANSI 300 valves contact the technical department.



Via Trieste n° 8 - 20060 TREZZANO ROSA (MI - ITALY) - Phone ++39 02 92010204
Fax ++39 02 92010216 Purchase Dept. - Fax ++39 02 92011954 Sales Dept.
E-mail: info@sircainternational.com - web site: www.sircainternational.com