

## GENERAL DESCRIPTION / APPLICATIONS

## DIMENSIONS mm



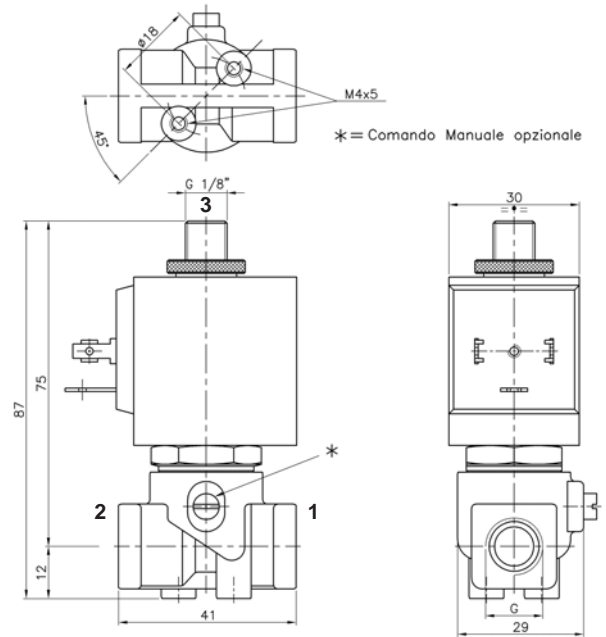
Three way direct acting solenoid valve with spring return, normally close.

Suitable for gaseous and liquid media compatible with the used material (body/seals), vacuum.

Forged brass body.  
Stainless steel guide tube.  
Stainless steel internal parts.  
Stainless steel springs.

Solenoid can be rotated 360°.

Valve will operate in any position.



## ELETTRICAL INFORMATION

Continuous duty glass-reinforced nylon moulded coil with electrical connection suitable for DIN-43650 plug (2 poles+ground) or faston wire terminal. Two cables available on request.

Coil type:	C3
Insulation class:	F (155°C), H (180°C) on request.
Winding wire class:	H (180°C)
Protection class:	Waterproof IP-65 (norme EN60529) when properly plug conncted when DIN-43650 plug.
Duty:	Continuous (S.I.) 100% ED
Power consumption:	Alternate Current 13VA (inrush 20VA) Direct Current 8W
Voltage tolerance:	a.c. +10% ÷ -15%, d.c. +10% ÷ -5%
Electrical Insulation:	>500 MOhm
Dielectrical Strenght:	>2000 V/1'
Standard voltage:	d.c. 12, 24 Volt a.c. 24, 110, 230 Volt (50/60 Hz) other voltages available on request.

## OPERATION

### Normally closed



In :	2
Out :	1
Vent :	3
Coil de-energised :	Input 2 closed From 1 to vent 3
Coil energised :	From 2 to 1 Vent 3 closed

## SPECIFICATIONS AND AVAILABLE OPTIONS

MODEL			ORIFICE mm	BODY RATING MAX.	PRESSURES IN BAR MIN. / MAX. DIFFERENZIAL PRESSURES			Flow factor kv (liters/min.)	Weight Kg
a	b	c			MIN.	MAX. AC~	MAX. DC=		
C	02	15	1,5 (1,5)	15	0	15	15	1,2	0,33
C	02	20	2,0 (2,0)	13	0	13	13	1,7	0,33
C	02	25	2,4 (2,4)	10	0	10	10	2,3	0,33

a	b	c	d	e	f
Construction	Valve type	Port size G	Seals material	Body material	Optional feature
<b>A</b> AC <b>C</b> DC	<b>C</b> 3 way	<b>B</b> 2 and 1 : 1/8" GAS <b>C</b> 2 and 1 : 1/4" GAS  3 : 1/8" GAS	<b>B</b> NBR <b>V</b> VITON <b>E</b> EPDM	<b>T</b> Brass <b>N</b> Nichel-plated brass	<b>M</b> Manual override <b>SG</b> Clean for oxigene

## GENERAL DESCRIPTION / APPLICATIONS

## DIMENSIONS mm



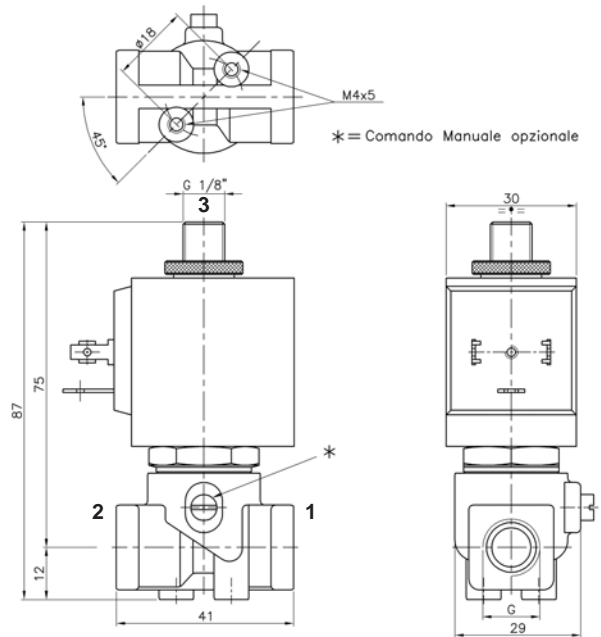
Three way direct acting solenoid valve with spring return, normally open.

Suitable for gaseous and liquid media compatible with the used material (body/seals), vacuum.

Forged brass body.  
Stainless steel guide tube.  
Stainless steel internal parts.  
Stainless steel springs.

Solenoid can be rotated 360°.

Valve will operate in any position.



## ELETTRICAL INFORMATION

Continuous duty glass-reinforced nylon moulded coil with electrical connection suitable for DIN-43650 plug (2 poles+ground) or faston wire terminal. Two cables available on request.

Coil type:	C3
Insulation class:	F (155°C), H (180°C) on request.
Winding wire class:	H (180°C)
Protection class:	Waterproof IP-65 (norme EN60529) when properly plug connctted when DIN-43650 plug.
Duty:	Continuous (S.I.) 100% ED
Power consumption:	Alternate Current 13VA (inrush 20VA) Direct Current 8W
Voltage tolerance:	a.c. +10% ÷ -15%, d.c. +10% ÷ -5%
Electrical Insulation:	>500 MOhm
Dielectrical Strenght:	>2000 V/1'
Standard voltage:	d.c. 12, 24 Volt a.c. 24, 110, 230 Volt (50/60 Hz) other voltages available on request.

## OPERATION



Normally open

In :	3
Out :	1
Vent :	2
Coil de-energised :	From 3 to 1 Vent 2 closed
Coil energised :	Input 3 closed From 1 to vent 2

## SPECIFICATIONS AND AVAILABLE OPTIONS

MODEL						ORIFICE mm	BODY RATING MAX.	PRESSURES IN BAR MIN. / MAX. DIFFERENZIAL PRESSURES			Flow factor kv (liters/min.')	Weight Kg
a	b	c	d	e	f			MIN.	MAX. AC-	MAX. DC-		
C	02		15	S		1,5 (1,5)	15	0	15	15	1,2	0,33
C	02		25	S		2,4 (2,4)	9	0	9	9	2,2	0,33
C	02		29	S		2,9 (2,8)	6,5	0	6,5	6,5	2,8	0,33

a	b	c	d	e	f
Construction A AC C DC	Valve type C 3way	Port size G B 2 and 1 : 1/8" GAS C 2 and 1 : 1/4" GAS 3 : 1/8" GAS	Seals material B NBR V VITON E EPDM	Body material T Brass N Nichel-plated brass	Optional feature M Manual override SG Clean for oxigene

## GENERAL DESCRIPTION / APPLICATIONS

## DIMENSIONS mm



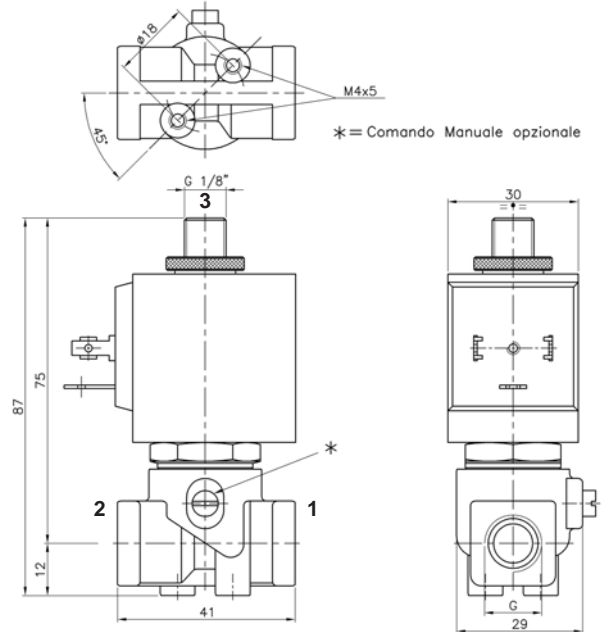
Three way direct acting solenoid valve with spring return, normally close or normally open (universal).

Suitable for gaseous and liquid media compatible with the used material (body/seals), vacuum.

Forged brass body.  
Stainless steel guide tube.  
Stainless steel internal parts.  
Stainless steel springs.

Solenoid can be rotated 360°.

Valve will operate in any position.



## ELETTRICAL INFORMATION

Continuous duty glass-reinforced nylon moulded coil with electrical connection suitable for DIN-43650 plug (2 poles+ground) or faston wire terminal. Two cables available on request.

Coil type:	C3
Insulation class:	F (155°C), H (180°C) on request.
Winding wire class:	H (180°C)
Protection class:	Waterproof IP-65 (norme EN60529) when properly plug connected when DIN-43650 plug.
Duty:	Continuous (S.I.) 100% ED
Power consumption:	Alternate Current 13VA (inrush 20VA) Direct Current 8W
Voltage tolerance:	a.c. +10% ÷ -15%, d.c. +10% ÷ -5%
Electrical Insulation:	>500 MOhm
Dielectrical Strength:	>2000 V/1"
Standard voltage:	d.c. 12, 24 Volt a.c. 24, 110, 230 Volt (50/60 Hz) other voltages available on request.

## OPERATION



### Normally closed

In :	2
Out :	1
Vent :	3
Coil de-energised :	Input 2 closed From 1 to vent 3
Coil energised :	From 2 to 1 Vent 3 closed

### Normally open

In :	3
Out :	1
Vent :	2
Coil de-energised :	From 3 to 1 Vent 2 closed
Coil energised :	Input 3 closed From 1 to vent 2

## SPECIFICATIONS AND AVAILABLE OPTIONS

MODEL				ORIFICE mm	BODY RATING MAX.	PRESSURES IN BAR MIN. / MAX. DIFFERENZIAL PRESSURES			Flow factor kv (liters/min.')	Weight Kg
a	b	c	d			MIN.	MAX. AC-	MAX. DC=		
C	02	15	U	1,5 (1,5)	9	0	9	9	1,2	0,33
C	02	25	U	2,5 (2,4)	6	0	6	6	2,2	0,33
C	02	29	U	2,9 (2,8)	4	0	4	4	2,8	0,33

a	Construction	b	Valve type	c	Port size G	d	Seals material	e	Body material	f	Optional feature
A	AC	C	3 way	B	2 and 1 : 1/8" GAS	B	NBR	T	Brass	M	Manual override
C	DC			C	2 and 1 : 1/4" GAS	V	VITON	N	Nichel-plated brass	SG	Clean for oxigene
					3 : 1/8" GAS	E	EPDM				