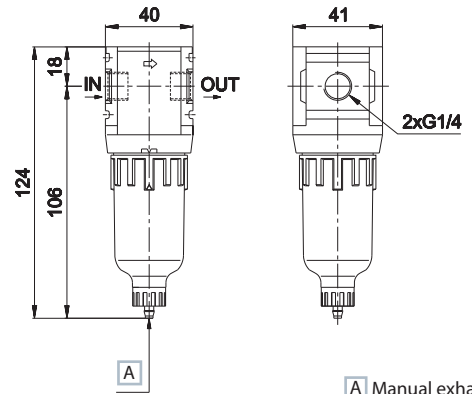


Size	0	1	2	
Part no.	HZE0F08G	HZE1F10G	HZE1F15G	HZE2F15G
Threaded port	G1/4	G3/8	G1/2	G1/2
Filtration rating (µm)	5	5	5	5
Flow rate (NI/min) ^(A)	1100	3500	6500	
Max inlet pressure (bar-MPa-psi)	10 - 1 - 145	10 - 1 - 145	10 - 1 - 145	
Fluid	compressed air	compressed air	compressed air	
Temperature (°C)	0 ÷ 60	0 ÷ 60	0 ÷ 60	
Condensation drain capacity (cm3)	12	45	80	
Condensation drain	manual	manual	manual	
Weight (Kg)	0,10	0,31	0,55	
Mounting position	vertical	vertical	vertical	

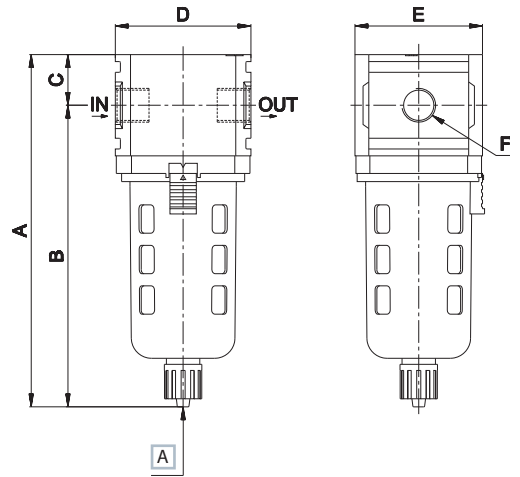
(A) = inlet pressure 6 bar, outlet pressure 5 bar - Δp 1 bar

HZE0F08G



A Manual exhaust

HZE1F10G - HZE1F15G / HZE2F15G



A Manual exhaust

size	A	B	C	D	E	F
1	180	157	23	63	63	G3/8-G1/2
2	195	172	23	80	80	G1/2