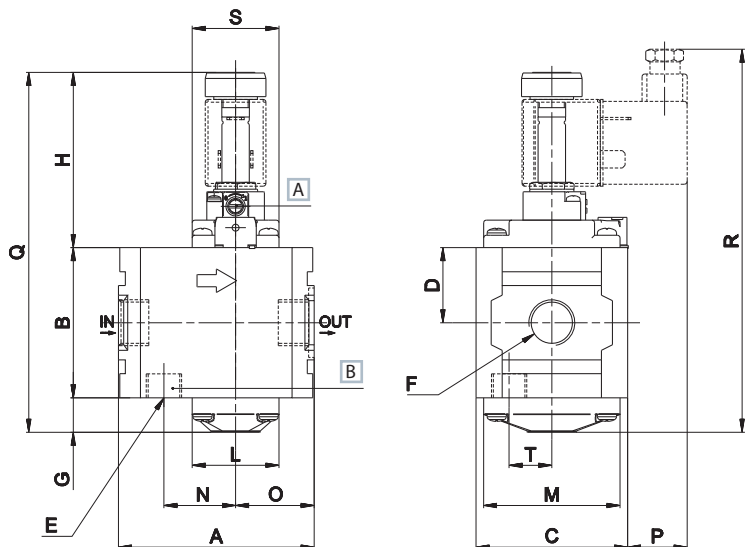
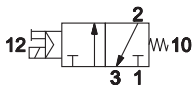


The 3 ways valve enable system supply and exhaust.  
Version with CNOMO or 15mm electropilot is available upon request.

Size	1	
Part no.	HZE1S10G	HZE1S15G
Threaded port	G3/8	G1/2
Flow rate (NI/min) <sup>(A)</sup>	2800	
Max inlet pressure (bar-MPa-psi)	10-1-145	
Min pressure (bar-MPa-psi)	2 - 0,2 - 29	
Fluid	compressed air	
Temperature (°C)	5 ÷ 60	
Weight (Kg)	0,7	
Commutation system	poppet valve	
Ways/Position	3/2 NC	
Control	indirect electropneumatic control	
Nominal diameter	10	
Electropilot	U1 / U3	
Coil	12 V DC - 24 V DC - 24 V AC - 110 V AC - 23	
Manual Override	with 2 position screw	

(A) = inlet pressure 6 bar, outlet pressure 5 bar - Δp 1 bar

HZE-S



- A Manual override
- B Exhaust

size	A	B	C	D	E	F	G	H	ØL	ØM	N	O	P	Q	R	S	T
1	71	54,5	55	27	G1/4	G3/8-G1/2	12,5	64	32	49,5	26	29	22	131	139	31,5	15,5

Coils and silencers are not included

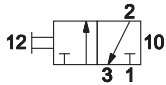
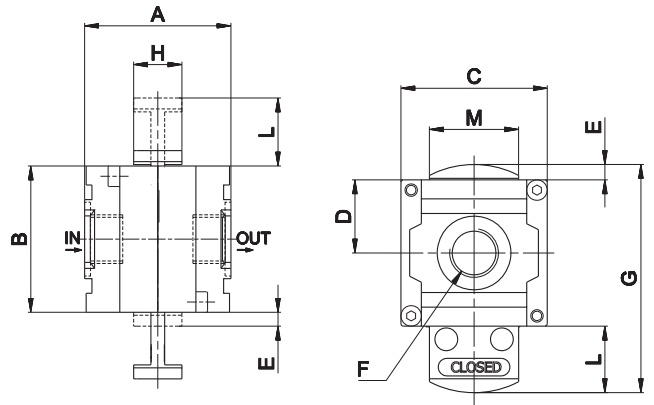


The lockable valve is a 3 way 2 position manual valve. In the closed position it enables discharge of the downstream system of the air preparation equipment. By using one or two locks (not included) the user is not allowed to pressurize the system accidentally.

Size	1	
Part no.	HZE1P10G	HZE1P15G
Threaded port	G3/8	G1/2
Flow rate (NI/min) <sup>(A)</sup>	5000	
Max inlet pressure (bar-MPa-psi)	10-1-145	
Fluid	compressed air	
Temperature(°C)	0 ÷ 60	
Weight (Kg)	0,28	

(A) = inlet pressure 6 bar, outlet pressure 5 bar - Δp 1 bar

HZE-P



Size	A	B	C	D	E	F	G	H	L	M
1	50	50	50	25	5	G3/8-G1/2	78	17	23	30,5

